



The new degree of comfort.™

Rheem Classic® Series Air Conditioners



RA16 Series

Efficiencies up to 16 SEER/13 EER
Nominal Sizes 1½ to 5 Ton [5.28 to 17.6 kW]
Cooling Capacities 17.3 to 60.5 kBTU
[5.7 to 17.7 kW]



"Proper sizing and installation of equipment is critical to achieve optimal performance. Split system air conditioners and heat pumps must be matched with appropriate coil components to meet Energy Star. Ask your Contractor for details or visit www.energystar.gov."

- New composite base pan – dampens sound, captures louver panels, eliminates corrosion and reduces number of fasteners needed
- Powder coat paint system – for a long lasting professional finish
- Scroll compressor – uses 70% fewer moving parts for higher efficiency and increased reliability
- Modern cabinet aesthetics – increased curb appeal with visually appealing design
- Curved louver panels – provide ultimate coil protection, enhance cabinet strength, and increased cabinet rigidity
- Optimized fan orifice – optimizes airflow and reduces unit sound
- Rust resistant screws – confirmed through 1500-hour salt spray testing
- PlusOne™ **Expanded Valve Space** – 3"-4"-5" service valve space – provides a minimum working area of 27-square inches for easier access
- PlusOne™ **Triple Service Access** – 15" wide, industry leading corner service access – makes repairs easier and faster. The two fastener removable corner allows optimal access to internal unit components. Individual louver panels come out once fastener is removed, for faster coil cleaning and easier cabinet reassembly
- Diagnostic service window with two-fastener opening – provides access to the high and low pressure.
- External gauge port access – allows easy connection of "low-loss" gauge ports
- Single-row condenser coil – makes unit lighter and allows thorough coil cleaning to maintain "out of the box" performance
- 35% fewer cabinet fasteners and fastener-free base – allow for faster access to internal components and hassle-free panel removal
- Service trays – hold fasteners or caps during service calls
- QR code – provides technical information on demand for faster service calls
- Fan motor harness with extra long wires allows unit top to be removed without disconnecting fan wire.



TABLE OF CONTENTS

Standard Feature	3
Available SKUs	3
Features & Benefits	4-5
Model Number Identification	6-7
General Data/Electrical Data	8
Accessories	9
Weighted Sound Power	9
Thermostats	9
Unit Dimensions	10
Clearances	11
Wiring Diagrams	12
Application Guidelines	12
Refrigerant Line Size Information	13-14
Performance Data	15-43
Guide Specifications	44
Limited Warranty	45



Standard Feature Table

Feature	STANDARD FEATURES						
	18	24	30	36	42	48	60
R-410a Refrigerant	√	√	√	√	√	√	√
Maximum SEER	16	16	16	16	16	16	16
Maximum EER	13	13	13	13	13	13	13
Scroll Compressor	√	√	√	√	√	√	√
Field Installed Filter Drier	√	√	√	√	√	√	√
Front Seating Service Valves	√	√	√	√	√	√	√
Internal Pressure Relief Valve	√	√	√	√	√	√	√
Internal Thermal Overload	√	√	√	√	√	√	√
Long Line capability	√	√	√	√	√	√	√
Low Ambient capability with Kit	√	√	√	√	√	√	√
3-4-5 Expanded Valve Space	√	√	√	√	√	√	√
Composite Basepan	√	√	√	√	√	√	√
2 Screw Control Box Access	√	√	√	√	√	√	√
15" Access to Internal Components	√	√	√	√	√	√	√
Quick release louver panel design	√	√	√	√	√	√	√
No fasteners to remove along bottom	√	√	√	√	√	√	√
Optimized Venturi Airflow	√	√	√	√	√	√	√
Single row condenser coil	√	√	√	√	√	√	√
Powder coated paint	√	√	√	√	√	√	√
Rust resistant screws	√	√	√	√	√	√	√
QR code	√	√	√	√	√	√	√
External gauge ports	√	√	√	√	√	√	√
Service trays	√	√	√	√	√	√	√

√ = Standard

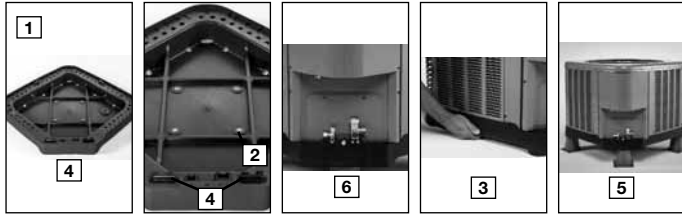
Available SKUs

Available Models	Description
RA1618AJ1NA	Classic® Series 1 1/2 ton 16 SEER Single-Stage Air Conditioner-208/230/1/60
RA1624AJ1NA	Classic® Series 2 ton 16 SEER Single-Stage Air Conditioner-208/230/1/60
RA1630AJ1NA	Classic® Series 2 1/2 ton 16 SEER Single-Stage Air Conditioner-208/230/1/60
RA1636BJ1NA	Classic® Series 3 ton 16 SEER Single-Stage Air Conditioner-208/230/1/60
RA1642AJ1NA	Classic® Series 3 1/2 ton 16 SEER Single-Stage Air Conditioner-208/230/1/60
RA1648AJ1NA	Classic® Series 4 ton 16 SEER Single-Stage Air Conditioner-208/230/1/60
RA1660AJ1NA	Classic® Series 5 ton 16 SEER Single-Stage Air Conditioner-208/230/1/60
RA1618AJ1NB	Classic® Series 1 1/2 ton 16 SEER Single-Stage Air Conditioner w/ High/Low Pressure-208/230/1/60
RA1624AJ1NB	Classic® Series 2 ton 16 SEER Single-Stage Air Conditioner w/ High/Low Pressure-208/230/1/60
RA1630AJ1NB	Classic® Series 2 1/2 ton 16 SEER Single-Stage Air Conditioner w/ High/Low Pressure-208/230/1/60
RA1636BJ1NB	Classic® Series 3 ton 16 SEER Single-Stage Air Conditioner w/ High/Low Pressure-208/230/1/60
RA1642AJ1NB	Classic® Series 3 1/2 ton 16 SEER Single-Stage Air Conditioner w/ High/Low Pressure-208/230/1/60
RA1648AJ1NB	Classic® Series 4 ton 16 SEER Single-Stage Air Conditioner w/ High/Low Pressure-208/230/1/60
RA1660AJ1NB	Classic® Series 5 ton 16 SEER Single-Stage Air Conditioner w/ High/Low Pressure-208/230/1/60
RA1636BC1NB	Classic® Series 3 ton 16 SEER Single-Stage Air Conditioner w/ High/Low Pressure-208/230/3/60
RA1642AC1NB	Classic® Series 3 1/2 ton 16 SEER Single-Stage Air Conditioner w/ High/Low Pressure-208/230/3/60
RA1648AC1NB	Classic® Series 4 ton 16 SEER Single-Stage Air Conditioner w/ High/Low Pressure-208/230/3/60
RA1660AC1NB	Classic® Series 5 ton 16 SEER Single-Stage Air Conditioner w/ High/Low Pressure-208/230/3/60

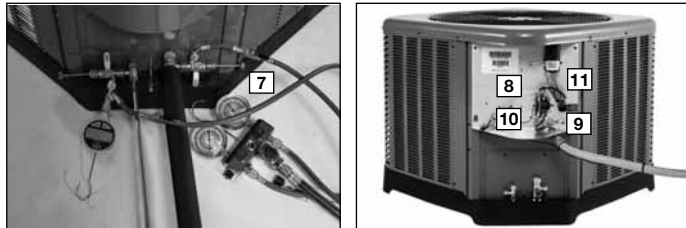
Introduction to RA16 Air Conditioner

The RA16 is our 16 SEER air conditioner and is part of the Rheem air conditioner product line that extends from 13 to 20 SEER. This highly featured and reliable air conditioner is designed for years of reliable, efficient operation when matched with Rheem indoor aluminum evaporator coils and furnaces or air handler units with aluminum evaporators.

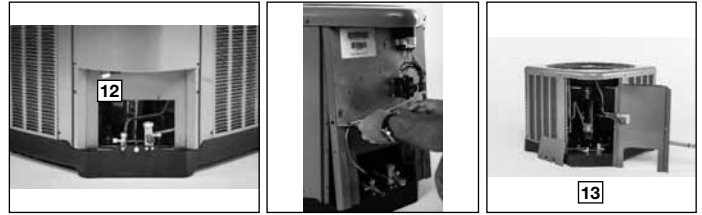
Our unique composite base (1) reduces sound emission, eliminates rattles, significantly reduces fasteners, eliminates corrosion and has integrated brass compressor attachment inserts (2). Furthermore it has incorporated into the design, water management features, means for hand placement (3) for unit maneuvering, screw trays (4) and inserts for lifting off unit pad. (5)



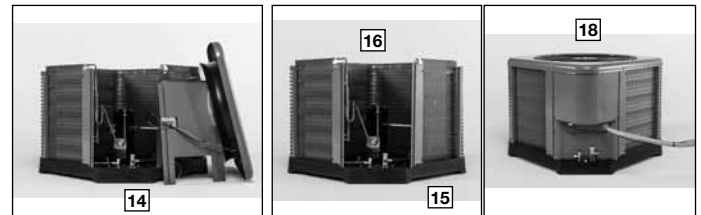
Service Valves (6) are rigidly mounted in the composite base with 3" between suction and discharge valves, 4" clearance below service valves and a minimum of 5" above the service valves, creating industry leading installation ease. The minimum 27 square-inches around the service valves allows ample room to remove service valve schrader prior to brazing, plenty of clearance for easy brazing of the suction and discharge lines to service valve outlets, easy access and hookup of low loss refrigerant gauges (7), and access to the service valve caps for opening. For applications with long-line lengths up to 250 feet total equivalent length, up to 200 feet condenser above evaporator, or up to 80 feet evaporator above condenser, the long-line instructions in the installation manual should be followed.



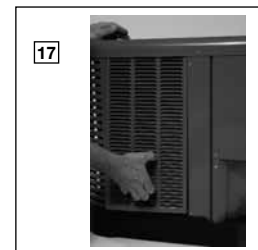
Controls are accessed from the corner of the unit by removing only two fasteners from the control access cover, revealing the industry's largest 15" wide and 14" tall control area (8). With all this room in the control area the high voltage electrical whip (9) can easily be inserted through the right size opening in the bottom of the control area. Routing it leads directly to contractor lugs for connection. The low voltage control wires (10) are easily connected to units low voltage wiring. If contactor or capacitor (11) needs to be replaced there is more than adequate space to make the repair. Furthermore, if high pressure and low pressure model was not purchased but is desired to be installed in the field, the service window (12) can be removed by removing two screws, to access the high and low side schrader fittings for easy field installation. The entire corner can be removed providing ultimate access to install the high and low pressure switch. (13)



If in the rare event, greater access is needed to internal components, such as the compressor, the entire corner of the unit can be removed along with the top cover assembly to have unprecedented access to interior of the unit (14). Extra wire length is incorporated into each outdoor fan and compressor so top cover and control panel can be positioned next to the unit. With minimal effort the plug can be removed from the compressor and the outdoor fan wires can be removed from the capacitor to allow even more uncluttered access to the interior of the unit (15). Outdoor coil heights range from as short as 27" to 48", aiding access to the compressor. Disassembly to this degree and complete reassembly only takes a first time service technician less than 10 minutes. (15)



All units utilize strong formed louver panels which provide industry leading coil protection. Louver removal for coil cleaning is accomplished by removing one screw and lifting the panel out of the composite base pan. (17) All RA16 units utilize single row coils (18) making cleaning easy and complete, restoring the performance of the air conditioner back to out of the box performance levels year after year.



The outdoor fan motor has sleeve bearings and is inherently protected. The motor is totally enclosed for maximum protection from weather, dust and corrosion. Access to the outdoor fan is made by removing four fasteners from the fan grille. The outdoor fan can be removed from the fan grille by removing 4 fasteners in the rare case outdoor fan motor fails.

Each cabinet has optimized composite (19) fan orifice assuring efficient and quiet airflow.



The entire cabinet has powder post paint (20) achieving 1000 hour salt spray rating, allowing the cabinet to retain its aesthetics throughout its life.



Scroll compressors with standard internal pressure relief and internal thermal overload are used on all capacities assuring longevity of high efficient and quiet operation for the life of the product.

Each unit is shipped with filter drier for field installation and will trap any moisture or dirt that could contaminate the refrigerant system.



All cabinets have industry leading structural strength due to the composite base pan (21), interlocking corner post (22), formed curved louver panels (23) and drawn top cover (24) making it the most durable cabinet on the market today.

Each RA16 capacity has undergone rigorous psychometric testing to assure performance ratings of capacity, SEER and EER per AHRI Standard 210/240 rating conditions. Also each unit bears the UL mark and each unit is certified to UL 1995 safety standards.



Each unit has undergone specific strain and modal testing to assure tubing (25) is outside the units natural frequency and that the suction and discharge lines connected to the compressor withstand any starting, steady state operation or shut down forces imposed by the compressor.

All units have been sound tested in sound chamber to AHRI 270 rating conditions, and A-weighted Sound Power Level tables produced, assuring units have acceptable noise qualities (see page 8). Each unit has been ran in cooling operation at 95°F and 82°F and sound ratings for the RA16 range from as low as 70.7 dBA to 76.6 dBA.

All units have been ship tested to assure units meet stringent “over the road” shipping conditions.

As manufactured all units in the RA16 family have cooling capability to 55 °F. Addition of low ambient control will allow the unit to operate down to 0°F. Factory testing is performed on each unit. All component parts meet well defined specification and continually go through receiving inspections. Each component installed on a unit is scanned, assuring correct component utilization for a given unit capacity and voltage. All condenser coils are leak tested with pressurization test to 550#’s and once installed and assembled, each units’ complete refrigerant system is helium leak tested. All units are fully charged from the factory for up to 15 feet of piping. All units are factory run tested. The RA16 has a 10-year conditional compressor and parts warranty (registration required).

Optional Accessories (Refer to accessory chart for model #)

Compressor Crankcase Heater

Protects against refrigerant migration that can occur during low ambient operation

Compressor Sound Cover

- Reinforced vinyl compressor cover containing a 1½ inch thick batt of fiberglass insulation
- Open edges are sealed with a one-inch wide hook and loop fastening tape

Compressor Hard Start Kit

- Single-phase units are equipped with a PSC compressor motor, this type of motor normally does not need a potential relay and start capacitor
- Kit may be required to increase the compressor starting torque, in conditions such as low voltage

Low Ambient Kit

- Air conditioners operate satisfactorily in the cooling mode down to 55°F outdoor air temperature without any additional controls
- This Kit can be added in the field enabling unit to operate properly down to 0° in the cooling mode
- Crankcase heater and freezestat should be installed on compressors equipped with a low ambient kit

3"/6"/12"

- Gray high density polyethylene feet are available to raise unit off of mounting surface away from moisture

Low Pressure

- Can be added in field enabling the unit to shut off compressor on loss of charge

NOTE: Unit can be purchased with high and low pressure installed at factory. (Refer to SKU list)

High Pressure

- Can be added in field enabling unit to shut off compressor if unit loses outdoor fan operation.

NOTE: Unit can be purchased with high and low pressure installed at factory. (Refer to SKU list)

Decorative Top

- Can be installed on fan grille



Air Conditioners*

R	A	16	24	A	J	1	N	A	*
Brand	Product Category	SEER	Capacity BTU/HR	Major Series*	Voltage	Type	Controls	Minor Series**	Option Code
Rheem	A - Air Conditioners	13 - 13 SEER 14 - 14 SEER 16 - 16 SEER 17 - 17 SEER 20 - 20 SEER	18 - 18,000 [5.28 kW] 24 - 24,000 [7.03 kW] 30 - 30,000 [8.79 kW] 36 - 36,000 [10.55 kW] 42 - 42,000 [12.31 kW] 48 - 48,000 [14.07 kW] 60 - 60,000 [17.58 kW]	A - 1st Design B - 2nd Design	J - 1ph, 208-230/60 C - 3ph, 208-230/60	1 - Single-stage 2 - Two-stage V - Inverter	C - Communicating N - Non-Communicating	A - 1st Design	N/A

*See page 3 for available SKU's.

Heat Pumps (For Reference)**

R	P	14	24	A	J	1	N	A	*
Brand	Product Category	SEER	Capacity BTU/HR	Major Series*	Voltage	Type	Controls	Minor Series**	Option Code
Rheem	P - Heat Pump	13 - 13 SEER 14 - 14 SEER 15 - 15 SEER 17 - 17 SEER 20 - 20 SEER	18 - 18,000 [5.28 kW] 24 - 24,000 [7.03 kW] 30 - 30,000 [8.79 kW] 36 - 36,000 [10.55 kW] 42 - 42,000 [12.31 kW] 48 - 48,000 [14.07 kW] 60 - 60,000 [17.58 kW]	A - 1st Design	J - 1ph, 208-230/60 C - 3ph, 208-230/60 D - 3ph, 460/60	1 - Single-stage 2 - Two-stage V - Inverter P - Piston	C - Communicating N - Non-Communicating	A - 1st Design	N/A

Furnace Coils (For Reference)**

R	C	F	24	17	S	I	A	M	C	A	*
Brand	Product Category	Type	Capacity BTU/HR	Width	Efficiency	Metering Device	Major Series*	Orientation	Casing	Minor Series**	Option Code
Rheem	C - Evap Coil	F - Furn Coil H - Air-Handler Coil	24 - 24,000 [7.03 kW] 36 - 36,000 [10.55 kW] 48 - 48,000 [14.07 kW] 60 - 60,000 [17.58 kW]	14 - 14" 17 - 17.5" 21 - 21" 24 - 24.5"	S - Standard Eff. M - Mid Eff. H - High Eff.	T-TXV E-EEV P-Piston	A - 1st Design	M - Multipoise V - Vertical only/ convertible H - Ded. Horizontal only	C - Cased U - Uncased	A - 1st Design	N/A

**Model number ID's are for reference only. See available SKU page of applicable spec sheet for table of available SKU's for a specific model.

[] Designates Metric Conversions



90%+ AFUE Gas Furnaces (For Reference)**

R	96	V	A	70	2	3	17	A		
Brand	Series	Motor	Major Rev	Input BTU/HR	Stages	Air Flow	Cabinet Width	Configuration	Nox	Minor Rev
Rheem	90 - 90 AFUE	V - Variable speed	A - 1st Design	040 - 42,000 [12.31 kW]	1 - Single-stage	3 - up to 3 ton	14 - 14"	M - Multi	X - Low Nox	A - 1st Design
	92 - 92 AFUE	T - Constant Torque		060 - 56,000 [16.41 kW]	2 - Two-stage	5 - 3 1/2 up to 5 ton	17 - 17.5"		S - Standard	
	95 - 95 AFUE	(X-13)		070 - 70,000 [20.51 kW]	M - Modulating		21 - 21"			
	96 - 96 AFUE	P - PSC		085 - 84,000 [24.62 kW]			24 - 24.5"			
	97 - 97 AFUE			100 - 98,000 [28.72 kW]						
				115 - 112,000 [32.82 kW]						

80% AFUE Gas Furnaces (For Reference)**

R	80	2	V	A	075	3	17	M	S	A
Brand	Series	Stages	Motor	Major Rev	Input BTU/HR	Air Flow	Cabinet Width	Configuration	Nox	Minor Rev
Rheem	80 - 80+ AFUE	1 - Single-stage	V - Variable speed	A - 1st Design	050 - 50,000 [15 kW]	3 - up to 3 ton	14 - 14"	M - Multi	X - Low Nox	A - 1st Design
		2 - Two-stage	T - Constant Torque (X-13)		075 - 75,000 [22 kW]	4 - 2 1/2 to 4 ton	17 - 17.5"	D - Down	S - Standard	
			P - PSC premium		100 - 100,000 [29 kW]	5 - 3 1/2 up to 5 ton	21 - 21"	Z - Down & zero clearance		
			S - PSC standard		125 - 125,000 [37 kW]		24 - 24.5"	down flow		
					150 - 150,000 [44 kW]					

Air Handlers (For Reference)**

R	H	1	I	36	17	S	T	N	A	*			
Brand	Product Category	Stages of Airflow	Motor Type	Capacity BTU/HR	Width	Coil Size	Metering Device	Major Series*	Controls	Voltage	Minor Series**	Factory Heat Cap	Option Code
Rheem	H - Air Handler	1 - Single-Stage	V - Variable Speed	24 - 24,000 [7.03 kW]	14 - 14"	S - Standard Eff.	T - TEV	A - 1st Design	C - Communicating	A - 1ph, 115/60	A - 1st Design	00 - no	*TBD
		2 - Two-Stage	Torque	36 - 36,000 [10.55 kW]	17 - 17.5"	Eff.	E - EEV		N - Non-comm	J - 1ph, 208-240/60		factory heat	
		M - Modulating	P - PSC	48 - 48,000 [14.07 kW]	21 - 21"	M - Mid Eff.	P - Piston		D - 3ph, 480/60	D - 3ph, 480/60		with option	
				60 - 60,000 [17.58 kW]	24 - 24.5"	H - High Eff.						code	

**Model number ID's are for reference only. See available SKU page of applicable spec sheet for table of available SKU's for a specific model.

[] Designates Metric Conversions



Air

Physical Data**PHYSICAL DATA**

Model No.	RA1618A	RA1624A	RA1630A	RA1636B	RA1642A	RA1648A	RA1660A
Nominal Tonnage	1.5	2.0	2.5	3.0	3.5	4.0	5.0
Valve Connections							
Liquid Line O.D. – in.	3/8	3/8	3/8	3/8	3/8	3/8	3/8
Suction Line O.D. – in.	3/4	3/4	3/4	3/4	7/8	7/8	7/8
Refrigerant (R410A) furnished oz.¹	82	87	113	108	150	174	201
Compressor Type	Scroll						
Outdoor Coil							
Net face area – Outer Coil	12.1	14.8	16.2	17.29	24.2	28.3	32.3
Net face area – Inner Coil	—	—	—	—	—	—	—
Tube diameter – in.	3/8	3/8	3/8	3/8	3/8	3/8	3/8
Number of rows	1	1	1	1	1	1	1
Fins per inch	22	22	22	22	22	22	22
Outdoor Fan							
Diameter – in.	20	24	26	24	26	26	26
Number of blades	3	2	3	3	3	3	3
Motor hp	1/8	1/6	1/5	1/6	1/3	1/3	1/3
CFM	2405	2850	3915	3300	4450	4660	4775
RPM	1095	851	710	825	829	828	795
watts	155	147	102	167	193	198	239
Shipping weight – lbs.	147	149	159	199	212	232	247
Operating weight – lbs.	140	142	152	192	205	225	240

Electrical Data

Line Voltage Data (Volts-Phase-Hz)	208/230-1-60	208/230-1-60	208/230-1-60	208/230-1-60	208/230-1-60	208/230-1-60	208/230-1-60
Maximum overcurrent protection (amps)²	20	20	30	35	40	40	50
Minimum circuit ampacity³	12	14	18	21	25	25	34
Compressor							
Rated load amps	9	10.3	12.8	15.4	16.7	17	23.7
Locked rotor amps	47.5	61.6	67.3	83.9	109	123.9	152.5
Condenser Fan Motor							
Full load amps	0.7	0.6	1.4	0.8	3.5	5.3	3.5
Locked rotor amps	1.3	1.5	2.3	1.5	—	2.3	—
Line Voltage Data (Volts-Phase-Hz)	—	—	—	208/230-3-60	208/230-3-60	208/230-3-60	208/230-3-60
Maximum overcurrent protection (amps)²	—	—	—	20	25	30	35
Minimum circuit ampacity³	—	—	—	14	18	21	24
Compressor							
Rated load amps	—	—	—	10.4	11.2	13.6	15.9
Locked rotor amps	—	—	—	73	88	83.1	110
Condenser Fan Motor							
Full load amps	—	—	—	0.8	3.5	3.5	3.5
Locked rotor amps	—	—	—	1.5	—	2.3	—

¹Refrigerant charge sufficient for 15 ft. length of refrigerant lines. For longer line set requirements see the installation instructions for information about set length and additional refrigerant charge required.

²HACR type circuit breaker or fuse.

³Refer to National Electrical Code manual to determine wire, fuse and disconnect size requirements.



Accessories

Model No.	RA1618	RA1624	RA1630	RA1636	RA1642	RA1648	RA1660	
Compressor crankcase heater*	44-17402-44	44-17402-44	44-17402-44	44-17402-44	44-17402-45	44-17402-45	44-17402-45	
Low ambient control	RXAD-A08	RXAD-A08	RXAD-A08	RXAD-A08	RXAD-A08	RXAD-A08	RXAD-A08	
Freeze Stat	50313	50313	50313	50313	50313	50313	50313	
Compressor sound cover	68-23427-26	68-23427-26	68-23427-26	68-23427-26	68-23427-25	68-23427-25	68-23427-25	
Compressor hard start kit	SK-A1	SK-A1	SK-A1	SK-A1	SK-A1	SK-A1	SK-A1	
Low pressure control	RXAC-A07	RXAC-A07	RXAC-A07	RXAC-A07	RXAC-A07	RXAC-A07	RXAC-A07	
High pressure control	RXAB-A07	RXAB-A07	RXAB-A07	RXAB-A07	RXAB-A07	RXAB-A07	RXAB-A07	
Heat pump Riser 6 in.	686020	686020	686020	686020	686020	686020	686020	
Liquid Line Solenoid (24 VAC, 50/60 Hz)	Solenoid Valve	200RD2T3TVLC	200RD2T3TVLC	200RD2T3TVLC	200RD2T3TVLC	200RD2T3TVLC	200RD3T3TVLC	200RD3T3TVLC
	Solenoid Coil	61-AMG24V	61-AMG24V	61-AMG24V	61-AMG24V	61-AMG24V	61-AMG24V	61-AMG24V
Liquid Line Solenoid (120/240 VAC, 50/60 Hz)	Solenoid Valve	200RD2T3TVLC	200RD2T3TVLC	200RD2T3TVLC	200RD2T3TVLC	200RD2T3TVLC	200RD3T3TVLC	200RD3T3TVLC
	Solenoid Coil	61-AMG120/240V	61-AMG120/240V	61-AMG120/240V	61-AMG120/240V	61-AMG120/240V	61-AMG120/240V	61-AMG120/240V
Classic Top Cap w/Label	91-101123-21	91-101123-21	91-101123-21	91-101123-21	91-101123-21	91-101123-21	91-101123-21	

*Crankcase Heater recommended with Low Ambient Kit.

Weighted Sound Power Level (dBA)

Unit Size - Voltage, Series	Standard Rating (dBA)	TYPICAL OCTAVE BAND SPECTRUM (dBA without tone adjustment)						
		125	250	500	1000	2000	4000	8000
RA1618A	76.6	53.4	60	65.7	66.3	64.2	58.8	52.6
RA1624A	75.5	49.9	58.4	61.4	64.1	61.6	57.3	50.8
RA1630A	74.3	48.4	57.4	62.6	64.5	61.5	56.5	51.5
RA1636B	75	51.6	58.7	63.1	66.1	62.3	59	55.7
RA1642A	70.7	47.5	51	60.2	60.7	59.7	53.6	50.4
RA1648A	74.3	51.2	56.1	64.5	65.6	60.7	56.6	52.6
RA1660A	74.6	50.1	55.1	65.6	64.8	63.2	57.4	56.4

NOTE: Tested in accordance with AHRI Standard 270-08 (not listed in AHRI)

Thermostats



200-Series *
Programmable



300-Series *
Deluxe Programmable

400-Series *
Special Applications/
Programmable



500-Series *
Communicating/
Programmable

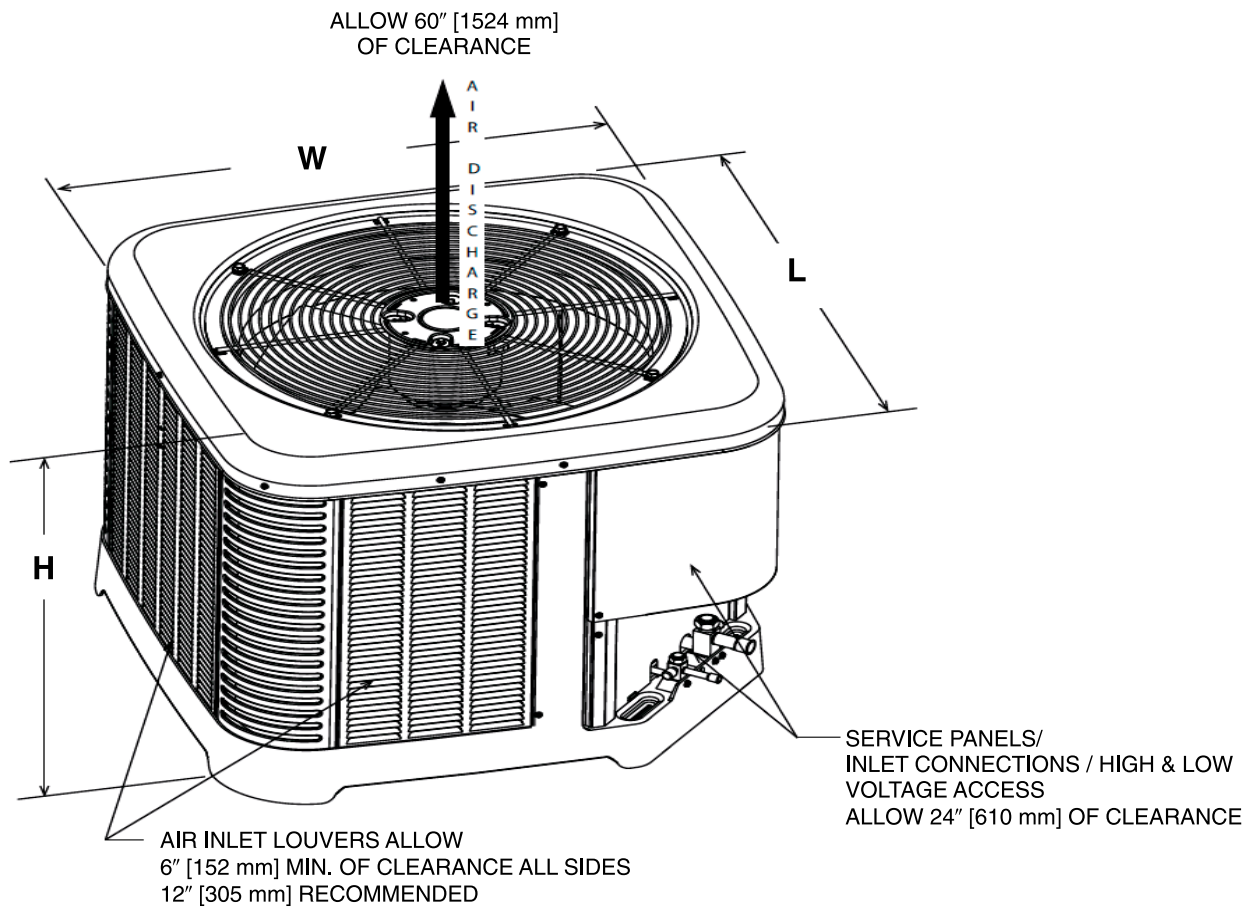
Brand	Descriptor (3 Characters)	Series (3 Characters)	System (2 Characters)	Type (2 Characters)
RHC	-	TST	213	UN
RHC=Rheem	TST=Thermostat	200=Programmable 300=Deluxe Programmable 400=Special Applications/ Programmable 500=Communicating/ Programmable	GE=Gas/Electric UN=Universal (AC/HP/GE) MD=Modulating Furnace DF=Dual Fuel CM=Communicating	SS=Single-Stage MS=Multi-Stage

* Photos are representative. Actual models may vary.

For detailed thermostat match-up information,
see specification sheet form number T11-001.

Unit Dimensions

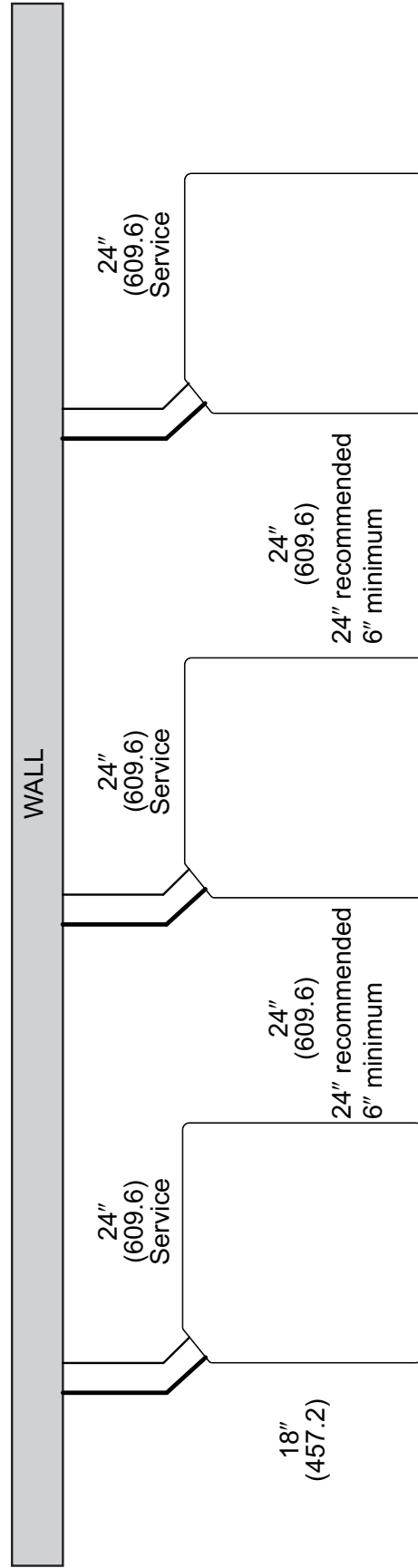
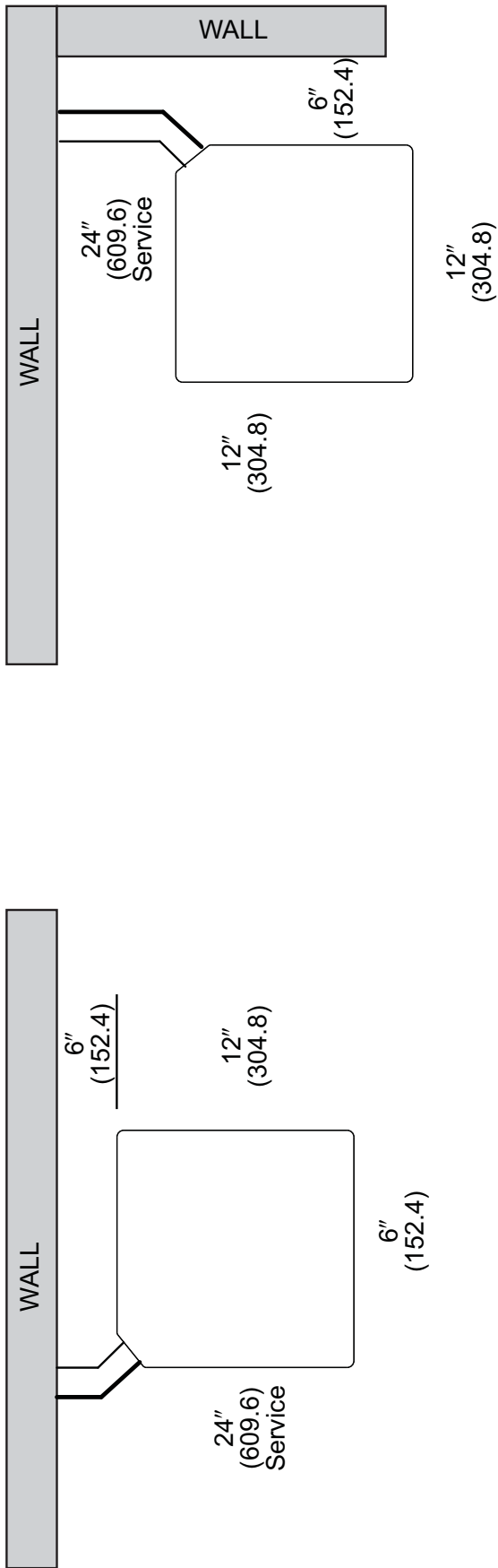
MODEL NO.	OPERATING						SHIPPING					
	H (Height)		L (Length)		W (Width)		H (Height)		L (Length)		W (Width)	
	INCHES	mm	INCHES	mm	INCHES	mm	INCHES	mm	INCHES	mm	INCHES	mm
RA1618A	27	685	29.75	755	29.75	755	27.375	695	32.25	819	32.25	819
RA1624A	27	685	33.75	857	33.75	857	27.375	695	36.25	921	36.25	921
RA1630A	27	685	35.75	908	35.75	908	27.375	695	38.25	972	38.25	972
RA1636B	31	787	33.75	857	33.75	857	31.375	797	36.25	921	36.25	921
RA1642A	39	990	35.75	908	35.75	908	39.375	1000	38.25	972	38.25	972
RA1648A	45	1143	35.75	908	35.75	908	45.375	1153	38.25	972	38.25	972
RA1660A	51	1295	35.75	908	35.75	908	51.375	1305	38.25	972	38.25	972



[] Designates Metric Conversions

ST-A1226-02-00

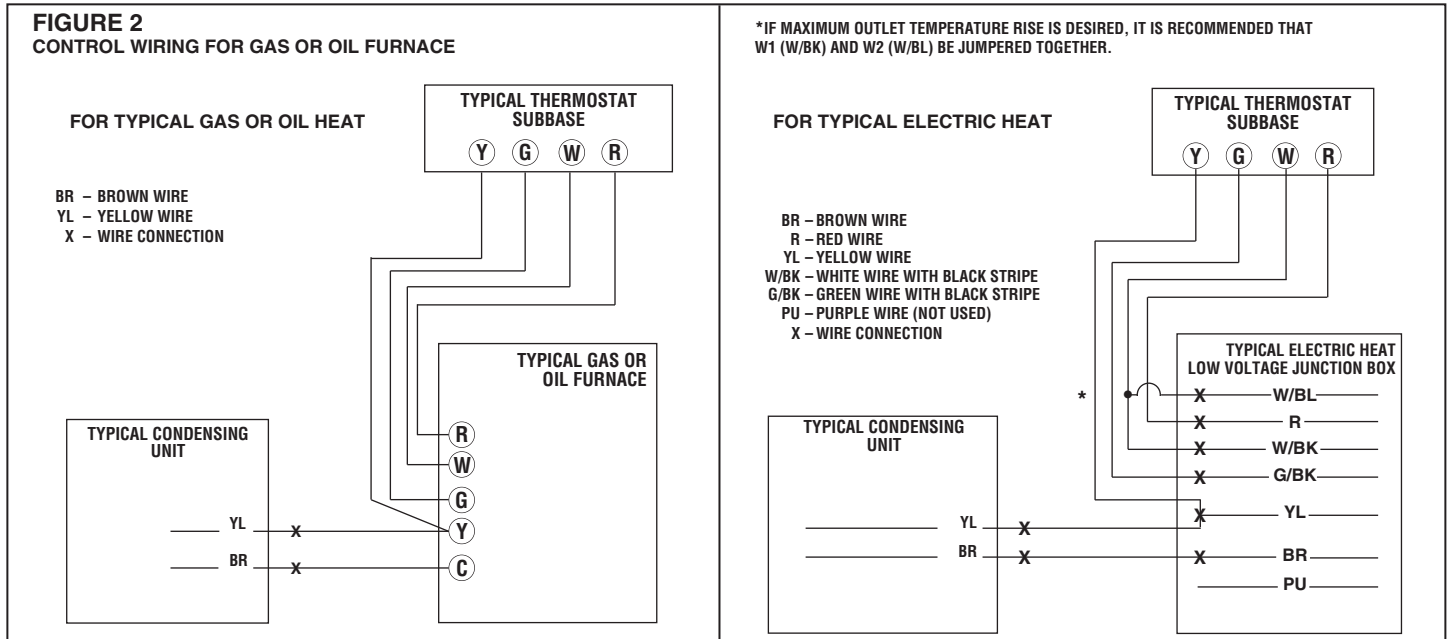
CLEARANCES



NOTE: NUMBERS IN () = mm

IMPORTANT: When installing multiple units in an alcove, roof well or partially enclosed area, ensure there is adequate ventilation to prevent re-circulation of discharge air.

Control Wiring



Application Guidelines

1. Intended for outdoor installation with free air inlet and outlet. Outdoor fan external static pressure available is less than 0.01 -in. wc.
2. Minimum outdoor operation air temperature for cooling mode without low-ambient operation accessory is 55°F (12.8°C).
3. Maximum outdoor operating air temperature is 125°F (51.7°C).
4. For reliable operation, unit should be level in all horizontal planes.
5. Use only copper wire for electric connections at unit. Aluminum and clad aluminum are not acceptable for the type of connector provided.
6. Do not apply capillary tube indoor coils to these units.
7. Factory – supplied filter drier must be installed.

Refrigerant Line Size Information

R-410A System Capacity Model	Liquid Line Size Connection Size (Inch I.D.) (mm)	Liquid Line Size (Inch O.D.) (mm)	Liquid Line Selection Chart																		
			Elevation (Above or Below) Indoor Coil Total Equivalent Length - Feet [m]																		
			25 [7.62]	50 [15.24]	75 [22.86]	100 [30.48]	125 [45.72]	150 [45.72]	175 [53.34]	200 [60.96]	225 [68.58]	250 [76.20]	275 [83.82]	300 [91.44]							
18	3/8" [9.53]	1/4 [6.35]	50 [15.24]	60 [18.29]	45 [13.72]	30 [9.14]	15 [4.57]	N/R	N/R	N/R	N/R	N/R	N/R	N/R	N/R	N/R	N/R	N/R	N/R		
		5/16 [7.94]	50 [15.24]	75 [22.86]	85 [25.91]	80 [24.38]	75 [22.86]	70 [21.34]	80 [24.38]	75 [22.86]	70 [21.34]	65 [19.81]	60 [18.29]	55 [16.76]	50 [15.24]	45 [13.72]	40 [12.19]	35 [10.67]	30 [9.14]	25 [7.62]	
		3/8 [9.53]	50 [15.24]	75 [22.86]	95 [28.96]	95 [28.96]	90 [27.43]	90 [27.43]	95 [28.96]	90 [27.43]	90 [27.43]	95 [28.96]	95 [28.96]	95 [28.96]	95 [28.96]	95 [28.96]	95 [28.96]	95 [28.96]	95 [28.96]	95 [28.96]	95 [28.96]
		7/16 [11.12]	50 [15.24]	75 [22.86]	100 [30.48]	100 [30.48]	100 [30.48]	100 [30.48]	100 [30.48]	100 [30.48]	100 [30.48]	100 [30.48]	100 [30.48]	100 [30.48]	100 [30.48]	100 [30.48]	100 [30.48]	100 [30.48]	100 [30.48]	100 [30.48]	100 [30.48]
		1/2 [12.71]	50 [15.24]	75 [22.86]	100 [30.48]	100 [30.48]	100 [30.48]	100 [30.48]	100 [30.48]	100 [30.48]	100 [30.48]	100 [30.48]	100 [30.48]	100 [30.48]	100 [30.48]	100 [30.48]	100 [30.48]	100 [30.48]	100 [30.48]	100 [30.48]	100 [30.48]
		N/R	50 [15.24]	35 [10.67]	10 [3.05]	N/R	N/R	N/R	N/R	N/R	N/R	N/R	N/R	N/R	N/R	N/R	N/R	N/R	N/R	N/R	N/R
24	3/8" [9.53]	5/16 [7.94]	50 [15.24]	75 [22.86]	80 [24.38]	75 [22.86]	70 [21.34]	60 [18.29]	55 [16.76]	50 [15.24]	45 [13.72]	40 [12.19]	35 [10.67]	30 [9.14]	25 [7.62]	20 [6.1]	15 [4.57]	10 [3.05]	5 [1.52]		
		3/8 [9.53]	50 [15.24]	75 [22.86]	95 [28.96]	95 [28.96]	90 [27.43]	90 [27.43]	95 [28.96]	90 [27.43]	90 [27.43]	95 [28.96]	95 [28.96]	95 [28.96]	95 [28.96]	95 [28.96]	95 [28.96]	95 [28.96]	95 [28.96]	95 [28.96]	
		7/16 [11.12]	50 [15.24]	75 [22.86]	100 [30.48]	100 [30.48]	100 [30.48]	100 [30.48]	100 [30.48]	100 [30.48]	100 [30.48]	100 [30.48]	100 [30.48]	100 [30.48]	100 [30.48]	100 [30.48]	100 [30.48]	100 [30.48]	100 [30.48]	100 [30.48]	
		1/2 [12.71]	50 [15.24]	75 [22.86]	100 [30.48]	100 [30.48]	100 [30.48]	100 [30.48]	100 [30.48]	100 [30.48]	100 [30.48]	100 [30.48]	100 [30.48]	100 [30.48]	100 [30.48]	100 [30.48]	100 [30.48]	100 [30.48]	100 [30.48]	100 [30.48]	
		N/R	50 [15.24]	35 [10.67]	10 [3.05]	N/R	N/R	N/R	N/R	N/R	N/R	N/R	N/R	N/R	N/R	N/R	N/R	N/R	N/R	N/R	N/R
		N/R	50 [15.24]	30 [9.14]	N/R	N/R	N/R	N/R	N/R	N/R	N/R	N/R	N/R	N/R	N/R	N/R	N/R	N/R	N/R	N/R	N/R
30	3/8" [9.53]	5/16 [7.94]	50 [15.24]	70 [21.34]	65 [19.81]	55 [16.76]	45 [13.72]	35 [10.67]	25 [7.62]	20 [6.1]	15 [4.57]	10 [3.05]	5 [1.52]	0	0	0	0	0	0		
		3/8 [9.53]	50 [15.24]	75 [22.86]	85 [25.91]	80 [24.38]	75 [22.86]	70 [21.34]	65 [19.81]	60 [18.29]	55 [16.76]	50 [15.24]	45 [13.72]	40 [12.19]	35 [10.67]	30 [9.14]	25 [7.62]	20 [6.1]	15 [4.57]	10 [3.05]	
		7/16 [11.12]	50 [15.24]	75 [22.86]	95 [28.96]	95 [28.96]	90 [27.43]	90 [27.43]	95 [28.96]	90 [27.43]	90 [27.43]	95 [28.96]	95 [28.96]	95 [28.96]	95 [28.96]	95 [28.96]	95 [28.96]	95 [28.96]	95 [28.96]	95 [28.96]	
		1/2 [12.71]	50 [15.24]	75 [22.86]	100 [30.48]	100 [30.48]	100 [30.48]	100 [30.48]	100 [30.48]	100 [30.48]	100 [30.48]	100 [30.48]	100 [30.48]	100 [30.48]	100 [30.48]	100 [30.48]	100 [30.48]	100 [30.48]	100 [30.48]	100 [30.48]	
		N/R	50 [15.24]	30 [9.14]	N/R	N/R	N/R	N/R	N/R	N/R	N/R	N/R	N/R	N/R	N/R	N/R	N/R	N/R	N/R	N/R	N/R
		N/R	50 [15.24]	25 [7.62]	15 [4.57]	N/R	N/R	N/R	N/R	N/R	N/R	N/R	N/R	N/R	N/R	N/R	N/R	N/R	N/R	N/R	N/R
36	3/8" [9.53]	5/16 [7.94]	50 [15.24]	60 [18.29]	45 [13.72]	35 [10.67]	20 [6.1]	5 [1.52]	0	0	0	0	0	0	0	0	0	0	0		
		3/8 [9.53]	50 [15.24]	75 [22.86]	80 [24.38]	75 [22.86]	70 [21.34]	65 [19.81]	60 [18.29]	55 [16.76]	50 [15.24]	45 [13.72]	40 [12.19]	35 [10.67]	30 [9.14]	25 [7.62]	20 [6.1]	15 [4.57]	10 [3.05]	5 [1.52]	
		7/16 [11.12]	50 [15.24]	75 [22.86]	90 [27.43]	90 [27.43]	95 [28.96]	95 [28.96]	95 [28.96]	95 [28.96]	95 [28.96]	95 [28.96]	95 [28.96]	95 [28.96]	95 [28.96]	95 [28.96]	95 [28.96]	95 [28.96]	95 [28.96]	95 [28.96]	
		1/2 [12.71]	50 [15.24]	75 [22.86]	100 [30.48]	100 [30.48]	100 [30.48]	100 [30.48]	100 [30.48]	100 [30.48]	100 [30.48]	100 [30.48]	100 [30.48]	100 [30.48]	100 [30.48]	100 [30.48]	100 [30.48]	100 [30.48]	100 [30.48]	100 [30.48]	
		N/R	50 [15.24]	30 [9.14]	N/R	N/R	N/R	N/R	N/R	N/R	N/R	N/R	N/R	N/R	N/R	N/R	N/R	N/R	N/R	N/R	N/R
		N/R	50 [15.24]	25 [7.62]	15 [4.57]	N/R	N/R	N/R	N/R	N/R	N/R	N/R	N/R	N/R	N/R	N/R	N/R	N/R	N/R	N/R	N/R
36B	3/8" [9.53]	5/16 [7.94]	50 [15.24]	55 [16.76]	45 [13.72]	30 [9.14]	15 [4.57]	0	0	0	0	0	0	0	0	0	0	0	0		
		3/8 [9.53]	50 [15.24]	75 [22.86]	80 [24.38]	75 [22.86]	70 [21.34]	65 [19.81]	60 [18.29]	55 [16.76]	50 [15.24]	45 [13.72]	40 [12.19]	35 [10.67]	30 [9.14]	25 [7.62]	20 [6.1]	15 [4.57]	10 [3.05]	5 [1.52]	
		7/16 [11.12]	50 [15.24]	75 [22.86]	90 [27.43]	90 [27.43]	95 [28.96]	95 [28.96]	95 [28.96]	95 [28.96]	95 [28.96]	95 [28.96]	95 [28.96]	95 [28.96]	95 [28.96]	95 [28.96]	95 [28.96]	95 [28.96]	95 [28.96]	95 [28.96]	
		1/2 [12.71]	50 [15.24]	75 [22.86]	100 [30.48]	100 [30.48]	100 [30.48]	100 [30.48]	100 [30.48]	100 [30.48]	100 [30.48]	100 [30.48]	100 [30.48]	100 [30.48]	100 [30.48]	100 [30.48]	100 [30.48]	100 [30.48]	100 [30.48]	100 [30.48]	
		N/R	50 [15.24]	30 [9.14]	N/R	N/R	N/R	N/R	N/R	N/R	N/R	N/R	N/R	N/R	N/R	N/R	N/R	N/R	N/R	N/R	N/R
		N/R	50 [15.24]	25 [7.62]	15 [4.57]	N/R	N/R	N/R	N/R	N/R	N/R	N/R	N/R	N/R	N/R	N/R	N/R	N/R	N/R	N/R	N/R
42	3/8" [9.53]	5/16 [7.94]	50 [15.24]	40 [12.19]	20 [6.1]	0	0	0	0	0	0	0	0	0	0	0	0	0	0		
		3/8 [9.53]	50 [15.24]	75 [22.86]	80 [24.38]	70 [21.34]	60 [18.29]	55 [16.76]	50 [15.24]	45 [13.72]	40 [12.19]	35 [10.67]	30 [9.14]	25 [7.62]	20 [6.1]	15 [4.57]	10 [3.05]	5 [1.52]	0	0	
		7/16 [11.12]	50 [15.24]	75 [22.86]	90 [27.43]	90 [27.43]	95 [28.96]	95 [28.96]	95 [28.96]	95 [28.96]	95 [28.96]	95 [28.96]	95 [28.96]	95 [28.96]	95 [28.96]	95 [28.96]	95 [28.96]	95 [28.96]	95 [28.96]	95 [28.96]	
		1/2 [12.71]	50 [15.24]	75 [22.86]	100 [30.48]	100 [30.48]	100 [30.48]	100 [30.48]	100 [30.48]	100 [30.48]	100 [30.48]	100 [30.48]	100 [30.48]	100 [30.48]	100 [30.48]	100 [30.48]	100 [30.48]	100 [30.48]	100 [30.48]	100 [30.48]	
		N/R	50 [15.24]	30 [9.14]	N/R	N/R	N/R	N/R	N/R	N/R	N/R	N/R	N/R	N/R	N/R	N/R	N/R	N/R	N/R	N/R	N/R
		N/R	50 [15.24]	25 [7.62]	15 [4.57]	N/R	N/R	N/R	N/R	N/R	N/R	N/R	N/R	N/R	N/R	N/R	N/R	N/R	N/R	N/R	N/R
48	3/8" [9.53]	5/16 [7.94]	50 [15.24]	35 [10.67]	15 [4.57]	0	0	0	0	0	0	0	0	0	0	0	0	0	0		
		3/8 [9.53]	50 [15.24]	75 [22.86]	85 [25.91]	80 [24.38]	75 [22.86]	70 [21.34]	65 [19.81]	60 [18.29]	55 [16.76]	50 [15.24]	45 [13.72]	40 [12.19]	35 [10.67]	30 [9.14]	25 [7.62]	20 [6.1]	15 [4.57]	10 [3.05]	
		7/16 [11.12]	50 [15.24]	75 [22.86]	90 [27.43]	90 [27.43]	95 [28.96]	95 [28.96]	95 [28.96]	95 [28.96]	95 [28.96]	95 [28.96]	95 [28.96]	95 [28.96]	95 [28.96]	95 [28.96]	95 [28.96]	95 [28.96]	95 [28.96]	95 [28.96]	
		1/2 [12.71]	50 [15.24]	75 [22.86]	100 [30.48]	100 [30.48]	100 [30.48]	100 [30.48]	100 [30.48]	100 [30.48]	100 [30.48]	100 [30.48]	100 [30.48]	100 [30.48]	100 [30.48]	100 [30.48]	100 [30.48]	100 [30.48]	100 [30.48]	100 [30.48]	
		N/R	50 [15.24]	30 [9.14]	N/R	N/R	N/R	N/R	N/R	N/R	N/R	N/R	N/R	N/R	N/R	N/R	N/R	N/R	N/R	N/R	N/R
		N/R	50 [15.24]	25 [7.62]	15 [4.57]	N/R	N/R	N/R	N/R	N/R	N/R	N/R	N/R	N/R	N/R	N/R	N/R	N/R	N/R	N/R	N/R
60	3/8" [9.53]	5/16 [7.94]	50 [15.24]	30 [9.14]	15 [4.57]	0	0	0	0	0	0	0	0	0	0	0	0	0	0		
		3/8 [9.53]	50 [15.24]	60 [18.29]	50 [15.24]	40 [12.19]	30 [9.14]	20 [6.1]	10 [3.05]	5 [1.52]	0	0	0	0	0	0	0	0	0	0	
		7/16 [11.12]	50 [15.24]	75 [22.86]	85 [25.91]	80 [24.38]	75 [22.86]	70 [21.34]	65 [19.81]	60 [18.29]	55 [16.76]	50 [15.24]	45 [13.72]	40 [12.19]	35 [10.67]	30 [9.14]	25 [7.62]	20 [6.1]	15 [4.57]	10 [3.05]	
		1/2 [12.71]	50 [15.24]	75 [22.86]	90 [27.43]	90 [27.43]	95 [28.96]	95 [28.96]	95 [28.96]	95 [28.96]	95 [28.96]	95 [28.96]	95 [28.96]	95 [28.96]	95 [28.96]	95 [28.96]	95 [28.96]	95 [28.96]	95 [28.96]	95 [28.96]	
		N/R	50 [15.24]	30 [9.14]	N/R	N/R	N/R	N/R	N/R	N/R	N/R	N/R	N/R	N/R	N/R	N/R	N/R	N/R	N/R	N/R	N/R
		N/R	50 [15.24]	25 [7.62]	15 [4.57]	N/R	N/R	N/R	N/R	N/R	N/R	N/R	N/R	N/R	N/R	N/R	N/R	N/R	N/R	N/R	N/R

NOTES:
 N/R = Application not recommended.
 Grey = This application is acceptable, but the long line guidelines must be followed. Reference Long Line Set section in the I&O

DESIGNATES METRIC CONVERSIONS



Refrigerant Line Size Information (con't.)

R-410A System Capacity Model	Vapor Line Connection Size (Inch I.D.) [mm]	Vapor Line Size (Inch O.D.) [mm]	Vapor Line Selection Chart Capacity Multiplier Table																
			Total Equivalent Length - Feet [m]																
			25 [7.62]	50 [15.24]	75 [22.86]	100 [30.48]	125 [45.72]	150 [45.72]	175 [53.34]	200 [60.96]	225 [68.58]	250 [76.20]	275 [83.82]	300 [91.44]					
18	3/4" [19.06]	5/8 [15.88]	1.00	0.99	0.99	0.98	0.98	0.97	0.97	0.97	0.97	0.97	0.97	0.97	0.96	0.96	0.96	0.96	
		3/4 [19.05]	1.00	1.00	1.00	1.00	1.00	1.00	0.99	0.99	0.99	0.99	0.99	0.99	0.99	0.99	0.99	0.99	
		7/8 [22.23]	N/R	N/R	N/R	N/R	N/R	N/R	N/R	N/R	N/R	N/R	N/R	N/R	N/R	N/R	N/R	N/R	N/R
		1 [25.4]	N/R	N/R	N/R	N/R	N/R	N/R	N/R	N/R	N/R	N/R	N/R	N/R	N/R	N/R	N/R	N/R	N/R
		1-1/8 [28.58]	N/R	N/R	N/R	N/R	N/R	N/R	N/R	N/R	N/R	N/R	N/R	N/R	N/R	N/R	N/R	N/R	N/R
24	3/4" [19.06]	5/8 [15.88]	1.01	0.99	0.98	0.98	0.97	0.97	0.96	0.97	0.95	0.95	0.95	0.94	0.93	0.93	0.93	0.92	
		3/4 [19.05]	1.00	1.00	1.01	0.99	0.99	0.99	1.00	0.98	0.98	0.98	0.98	0.98	0.98	0.98	0.98	0.98	
		7/8 [22.23]	1.00	1.01	1.00	1.00	1.00	1.01	1.00	1.00	1.00	1.00	1.00	1.00	1.00	1.00	1.00	1.00	1.00
		1 [25.4]	N/R	N/R	N/R	N/R	N/R	N/R	N/R	N/R	N/R	N/R	N/R	N/R	N/R	N/R	N/R	N/R	N/R
		1-1/8 [28.58]	N/R	N/R	N/R	N/R	N/R	N/R	N/R	N/R	N/R	N/R	N/R	N/R	N/R	N/R	N/R	N/R	N/R
30	3/4" [19.06]	5/8 [15.88]	1.01	0.99	0.98	0.98	0.97	0.96	0.96	0.96	0.95	0.95	0.94	0.93	0.92	0.91	0.91	0.91	
		3/4 [19.05]	1.00	1.01	1.00	1.00	1.00	1.00	1.00	0.99	0.99	0.98	0.98	0.98	0.98	0.98	0.97	0.97	
		7/8 [22.23]	1.01	1.00	1.00	1.00	1.01	1.01	1.01	1.01	1.01	1.01	1.01	1.01	1.00	1.00	1.00	1.00	1.00
		1 [25.4]	N/R	N/R	N/R	N/R	N/R	N/R	N/R	N/R	N/R	N/R	N/R	N/R	N/R	N/R	N/R	N/R	N/R
		1-1/8 [28.58]	N/R	N/R	N/R	N/R	N/R	N/R	N/R	N/R	N/R	N/R	N/R	N/R	N/R	N/R	N/R	N/R	N/R
36	3/4" [19.06]	5/8 [15.88]	0.99	0.97	0.95	0.94	0.94	0.93	0.93	0.93	0.91	0.91	0.91	0.90	0.89	0.87	0.86	0.86	
		3/4 [19.05]	1.00	0.99	0.99	0.98	0.98	0.98	0.97	0.97	0.96	0.96	0.96	0.95	0.95	0.94	0.94	0.94	
		7/8 [22.23]	1.00	1.00	1.00	0.99	0.99	0.99	0.99	0.99	0.99	0.99	0.98	0.98	0.98	0.97	0.97	0.97	0.97
		1 [25.4]	N/R	N/R	N/R	N/R	N/R	N/R	N/R	N/R	N/R	N/R	N/R	N/R	N/R	N/R	N/R	N/R	N/R
		1-1/8 [28.58]	N/R	N/R	N/R	N/R	N/R	N/R	N/R	N/R	N/R	N/R	N/R	N/R	N/R	N/R	N/R	N/R	N/R
36B	3/4" [19.06]	5/8 [15.88]	0.99	0.97	0.97	0.94	0.94	0.94	0.94	0.93	0.92	0.92	0.92	0.90	0.89	0.87	0.85	0.85	
		3/4 [19.05]	1.00	1.00	0.99	0.99	0.98	0.98	0.98	0.98	0.97	0.97	0.97	0.97	0.95	0.95	0.95	0.95	
		7/8 [22.23]	1.01	1.00	1.00	1.00	1.00	1.00	1.00	1.00	1.00	1.00	1.00	1.00	0.99	0.99	0.99	0.98	
		1 [25.4]	N/R	N/R	N/R	N/R	N/R	N/R	N/R	N/R	N/R	N/R	N/R	N/R	N/R	N/R	N/R	N/R	N/R
		1-1/8 [28.58]	N/R	N/R	N/R	N/R	N/R	N/R	N/R	N/R	N/R	N/R	N/R	N/R	N/R	N/R	N/R	N/R	N/R
42	7/8" [22.23]	5/8 [15.88]	0.98	0.97	0.95	0.92	0.92	0.91	0.91	0.90	0.89	0.89	0.86	0.85	0.84	0.83	0.83	0.83	
		3/4 [19.05]	1.00	0.98	0.98	0.97	0.96	0.96	0.96	0.96	0.95	0.95	0.95	0.93	0.93	0.93	0.93	0.92	
		7/8 [22.23]	1.00	1.00	0.99	0.99	0.98	0.98	0.98	0.98	0.98	0.98	0.97	0.97	0.96	0.96	0.96	0.96	0.96
		1 [25.4]	N/R	N/R	N/R	N/R	N/R	N/R	N/R	N/R	N/R	N/R	N/R	N/R	N/R	N/R	N/R	N/R	N/R
		1-1/8 [28.58]	N/R	N/R	N/R	N/R	N/R	N/R	N/R	N/R	N/R	N/R	N/R	N/R	N/R	N/R	N/R	N/R	N/R
48	7/8" [22.23]	5/8 [15.88]	0.98	0.97	0.94	0.92	0.92	0.91	0.91	0.89	0.87	0.86	0.86	0.84	0.83	0.82	0.81	0.81	
		3/4 [19.05]	1.00	0.99	0.98	0.97	0.97	0.97	0.97	0.96	0.96	0.95	0.95	0.94	0.94	0.93	0.92	0.92	
		7/8 [22.23]	1.00	1.00	1.00	1.00	0.99	0.98	0.98	0.98	0.98	0.98	0.98	0.98	0.98	0.98	0.97	0.97	0.97
		1 [25.4]	N/R	N/R	N/R	N/R	N/R	N/R	N/R	N/R	N/R	N/R	N/R	N/R	N/R	N/R	N/R	N/R	N/R
		1-1/8 [28.58]	N/R	N/R	N/R	N/R	N/R	N/R	N/R	N/R	N/R	N/R	N/R	N/R	N/R	N/R	N/R	N/R	N/R
60	7/8" [22.23]	5/8 [15.88]	0.98	0.95	0.92	0.88	0.88	0.88	0.86	0.85	0.82	0.82	0.82	0.82	0.82	0.82	0.82	0.82	
		3/4 [19.05]	1.00	0.99	0.98	0.97	0.96	0.96	0.96	0.95	0.94	0.94	0.94	0.94	0.94	0.93	0.93	0.93	
		7/8 [22.23]	1.01	1.00	1.00	1.00	0.99	0.99	0.99	0.99	0.99	0.98	0.97	0.97	0.97	0.97	0.97	0.97	0.97
		1 [25.4]	N/R	N/R	N/R	N/R	N/R	N/R	N/R	N/R	N/R	N/R	N/R	N/R	N/R	N/R	N/R	N/R	N/R
		1-1/8 [28.58]	N/R	N/R	N/R	N/R	N/R	N/R	N/R	N/R	N/R	N/R	N/R	N/R	N/R	N/R	N/R	N/R	N/R

NOTES:
N/R = Application not recommended.
All calculations assume a 3/8" liquid line

Performance Data @ AHRI Standard Conditions – Cooling

High Sales Volume Tested Combination (HSVTC)								
Outdoor Unit	Indoor Coil	Total Capacity BTU/H [kW]	Net Sensible BTU/H [kW]	Net Latent BTU/H [kW]	SEER	EER	Indoor CFM [L/s]	AHRI#
RA1618AJ1	RCF2417STAM+RXMD-C04	18000 [5.3]	13500 [4.0]	4500 [1.3]	14.5	12.2	600 [283.2]	7940358
RA1624AJ1	RCF2417STAM+RXMD-C04	24000 [7.0]	17500 [5.1]	6500 [1.9]	14.5	12.2	800 [377.6]	7940647
RA1630AJ1	RCF3617STAM+RXMD-C04	28400 [8.3]	21600 [6.3]	6800 [2.0]	14.5	12.2	1025 [483.7]	7940930
RA1636BC1	RCF3617STAM+RXMD-C04	35800 [10.5]	25500 [7.5]	10300 [3.0]	14.5	12.2	1100 [519.1]	8177920
RA1636BJ1	RCF3617STAM+RXMD-C04	35800 [10.5]	25500 [7.5]	10300 [3.0]	14.5	12.2	1100 [519.1]	8178451
RA1642AC1	RCF4821STAM+RXMD-C04	41000 [12.0]	30300 [8.9]	10700 [3.1]	14.5	12.2	1425 [672.5]	7942269
RA1642AJ1	RCF4821STAM+RXMD-C04	41000 [12.0]	30300 [8.9]	10700 [3.1]	14.5	12.2	1425 [672.5]	7942605
RA1648AC1	RCF4821MTAM+RXMD-C04	46000 [13.5]	35700 [10.5]	10300 [3.0]	15.1	12.5	1600 [755.1]	7943765
RA1648AJ1	RCF4821MTAM+RXMD-C04	46000 [13.5]	35700 [10.5]	10300 [3.0]	15.1	12.5	1600 [755.1]	7943766
RA1660AC1	RCF6024STAM+RXMD-C04	56500 [16.6]	39100 [11.5]	17400 [5.1]	15.1	12.5	1525 [719.7]	7943825
RA1660AJ1	RCF6024STAM+RXMD-C04	56500 [16.6]	39100 [11.5]	17400 [5.1]	15.1	12.5	1525 [719.7]	7943604

[] Designates Metric Conversions

Performance Data @ AHRI Standard Conditions – Cooling (con't.)

Coil Only Ratings								
Outdoor Unit	Indoor Coil	Total Capacity BTU/H [kW]	Net Sensible BTU/H [kW]	Net Latent BTU/H [kW]	SEER	EER	Indoor CFM [L/s]	AHRI#
RA1618AJ1	RCF2414STAM+RXMD-C04	18000 [5.3]	13500 [4.0]	4500 [1.3]	14.5	12.2	600 [283.2]	7940295
	RCF2417HTAM+RXMD-C04	18000 [5.3]	13000 [3.8]	5000 [1.5]	14.5	12.2	600 [283.2]	7940316
	RCF2417MTAM+RXMD-C04	18000 [5.3]	13000 [3.8]	5000 [1.5]	14.5	12.2	600 [283.2]	7940337
	RCF2421MTAM+RXMD-C04	18000 [5.3]	13000 [3.8]	5000 [1.5]	14.5	12.2	600 [283.2]	7940410
	RCF2421HTAM+RXMD-C04	18000 [5.3]	13000 [3.8]	5000 [1.5]	14.5	12.2	600 [283.2]	7940384
RA1624AJ1	RCF2414STAM+RXMD-C04	24000 [7.0]	17500 [5.1]	6500 [1.9]	14.5	12.2	800 [377.6]	7940574
	RCF2417HTAM+RXMD-C04	24000 [7.0]	17500 [5.1]	6500 [1.9]	14.5	12.2	800 [377.6]	7940598
	RCF2417MTAM+RXMD-C04	24000 [7.0]	17500 [5.1]	6500 [1.9]	14.5	12.2	800 [377.6]	7940622
	RCF2421MTAM+RXMD-C04	24000 [7.0]	17500 [5.1]	6500 [1.9]	14.5	12.2	800 [377.6]	7940713
	RCF2421HTAM+RXMD-C04	24000 [7.0]	17500 [5.1]	6500 [1.9]	14.5	12.2	800 [377.6]	7940680
RA1630AJ1	RCF3621HTAM+RXMD-C04	30000 [8.8]	22800 [6.7]	7200 [2.1]	15	12.5	1025 [483.7]	8080028
	RCF3621MTAM+RXMD-C04	29600 [8.7]	20900 [6.1]	8700 [2.5]	15.1	12.5	1025 [483.7]	7940974
	RCF3621STAM+RXMD-C04	28400 [8.3]	21600 [6.3]	6800 [2.0]	14.5	12.2	1025 [483.7]	7941018
	RCF3624HTAM+RXMD-C04	30000 [8.8]	22800 [6.7]	7200 [2.1]	15.1	12.5	1025 [483.7]	7941049
	RCF3624MTAM+RXMD-C04	29600 [8.7]	20900 [6.1]	8700 [2.5]	15.1	12.5	1025 [483.7]	7941080
RA1636BC1	RCF3621HTAM+RXMD-C04	36000 [10.6]	25600 [7.5]	10400 [3.0]	15.1	12.5	1200 [566.3]	8177944
	RCF3621MTAM+RXMD-C04	36000 [10.6]	25600 [7.5]	10400 [3.0]	14.5	12.2	1150 [542.7]	8177992
	RCF3621STAM+RXMD-C04	35800 [10.5]	25500 [7.5]	10300 [3.0]	14.5	12.2	1100 [519.1]	8178039
	RCF3624HTAM+RXMD-C04	36000 [10.6]	25600 [7.5]	10400 [3.0]	15.1	12.5	1200 [566.3]	8178076
	RCF3624MTAM+RXMD-C04	36000 [10.6]	25600 [7.5]	10400 [3.0]	14.5	12.2	1200 [566.3]	8178113
RA1636BJ1	RCF3621HTAM+RXMD-C04	36000 [10.6]	25600 [7.5]	10400 [3.0]	15.1	12.5	1200 [566.3]	8178475
	RCF3621MTAM+RXMD-C04	36000 [10.6]	25600 [7.5]	10400 [3.0]	14.5	12.2	1150 [542.7]	8178521
	RCF3621STAM+RXMD-C04	35800 [10.5]	25500 [7.5]	10300 [3.0]	14.5	12.2	1100 [519.1]	8178567
	RCF3624HTAM+RXMD-C04	36000 [10.6]	25600 [7.5]	10400 [3.0]	15.1	12.5	1200 [566.3]	8178602
	RCF3624MTAM+RXMD-C04	36000 [10.6]	25600 [7.5]	10400 [3.0]	14.5	12.2	1200 [566.3]	8178637
RA1642AC1	RCF4821MTAM+RXMD-C04	42000 [12.3]	29600 [8.7]	12400 [3.6]	14.5	12.2	1425 [672.5]	8080539
	RCF4824HTAM+RXMD-C04	42000 [12.3]	31100 [9.1]	10900 [3.2]	15.1	12.5	1425 [672.5]	7942305
	RCF4824STAM+RXMD-C04	41000 [12.0]	30300 [8.9]	10700 [3.1]	14.5	12.2	1425 [672.5]	7942342
RA1642AJ1	RCF4821MTAM+RXMD-C04	42000 [12.3]	29600 [8.7]	12400 [3.6]	14.5	12.2	1425 [672.5]	8080654
	RCF4824HTAM+RXMD-C04	42000 [12.3]	31100 [9.1]	10900 [3.2]	15.1	12.5	1425 [672.5]	7942641
	RCF4824STAM+RXMD-C04	41000 [12.0]	30300 [8.9]	10700 [3.1]	14.5	12.2	1425 [672.5]	7942678
RA1648AC1	RCF4821STAM+RXMD-C04	44000 [12.9]	32600 [9.6]	11400 [3.3]	15.1	12.5	1375 [648.9]	7942932
	RCF4824HTAM+RXMD-C04	46500 [13.6]	34400 [10.1]	12100 [3.5]	15.5	13	1600 [755.1]	7942967
	RCF4824STAM+RXMD-C04	44000 [12.9]	32600 [9.6]	11400 [3.3]	15.1	12.5	1375 [648.9]	7943004
RA1648AJ1	RCF4821STAM+RXMD-C04	44000 [12.9]	32600 [9.6]	11400 [3.3]	15.1	12.5	1375 [648.9]	7943258
	RCF4824HTAM+RXMD-C04	46500 [13.6]	34400 [10.1]	12100 [3.5]	15.5	13	1600 [755.1]	7943293
	RCF4824STAM+RXMD-C04	44000 [12.9]	32600 [9.6]	11400 [3.3]	15.1	12.5	1375 [648.9]	7943330
RA1660AC1	RCF6021STAM+RXMD-C04	55500 [16.3]	36600 [10.7]	18900 [5.5]	14.5	12	1750 [825.9]	8080979
	RCF6024HTAM+RXMD-C04	56500 [16.6]	39100 [11.5]	17400 [5.1]	15.1	12.5	1525 [719.7]	7943796
RA1660AJ1	RCF6021STAM+RXMD-C04	55500 [16.3]	36600 [10.7]	18900 [5.5]	14.5	12	1750 [825.9]	8081057
	RCF6024HTAM+RXMD-C04	56500 [16.6]	39100 [11.5]	17400 [5.1]	15.1	12.5	1525 [719.7]	7943575

[] Designates Metric Conversions

Performance Data @ AHRI Standard Conditions – Cooling (con't.)

R801T: Classic Plus Single-Stage X-13 80% Furnace Ratings									
Outdoor Unit	Furnace	Indoor Coil	Total Capacity BTU/H [kW]	Net Sensible BTU/H [kW]	Net Latent BTU/H [kW]	SEER	EER	Indoor CFM [L/s]	AHRI#
RA1618AJ1	R801TA050314MSA	RCF2414STAM	18000 [5.3]	13500 [4.0]	4500 [1.3]	16	13	625 [295.0]	7940294
		RCF2417HTAM	18000 [5.3]	13500 [4.0]	4500 [1.3]	16	13	625 [295.0]	7940296
		RCF2417MTAM	18000 [5.3]	13500 [4.0]	4500 [1.3]	16	13	625 [295.0]	7940317
		RCF2417STAM	18000 [5.3]	13500 [4.0]	4500 [1.3]	16	13	625 [295.0]	7940338
RA1618AJ1	R801TA050314MXA	RCF2414STAM	18000 [5.3]	13500 [4.0]	4500 [1.3]	16	13	625 [295.0]	8079876
		RCF2417HTAM	18000 [5.3]	13500 [4.0]	4500 [1.3]	16	13	625 [295.0]	8079877
		RCF2417MTAM	18000 [5.3]	13500 [4.0]	4500 [1.3]	16	13	625 [295.0]	8079882
		RCF2417STAM	18000 [5.3]	13500 [4.0]	4500 [1.3]	16	13	625 [295.0]	8079887
RA1618AJ1	R801TA075317ZSA	RCF2417HTAM	18000 [5.3]	13500 [4.0]	4500 [1.3]	16	13	650 [306.8]	7940297
		RCF2417MTAM	18000 [5.3]	13500 [4.0]	4500 [1.3]	16	13	650 [306.8]	7940318
		RCF2417STAM	18000 [5.3]	13500 [4.0]	4500 [1.3]	16	13	650 [306.8]	7940339
		RCF2421MTAM	18000 [5.3]	13500 [4.0]	4500 [1.3]	16	13	650 [306.8]	7940385
RA1618AJ1	R801TA075317ZXA	RCF2417HTAM	18000 [5.3]	13500 [4.0]	4500 [1.3]	16	13	650 [306.8]	8079878
		RCF2417MTAM	18000 [5.3]	13500 [4.0]	4500 [1.3]	16	13	650 [306.8]	8079883
		RCF2417STAM	18000 [5.3]	13500 [4.0]	4500 [1.3]	16	13	650 [306.8]	8079888
		RCF2421MTAM	18000 [5.3]	13500 [4.0]	4500 [1.3]	16	13	650 [306.8]	8079898
RA1618AJ1	R801TA075317ZSA	RCF2421HTAM	18000 [5.3]	13500 [4.0]	4500 [1.3]	16	13	650 [306.8]	7940359
RA1618AJ1	R801TA075317ZXA	RCF2421HTAM	18000 [5.3]	13500 [4.0]	4500 [1.3]	16	13	650 [306.8]	8079892
RA1624AJ1	R801TA050314MSA	RCF2414STAM	24000 [7.0]	17500 [5.1]	6500 [1.9]	16	13	800 [377.6]	7940573
		RCF2417HTAM	24000 [7.0]	17500 [5.1]	6500 [1.9]	16	13	875 [413.0]	7940575
		RCF2417MTAM	24000 [7.0]	17500 [5.1]	6500 [1.9]	16	13	850 [401.2]	7940599
		RCF2417STAM	24000 [7.0]	17500 [5.1]	6500 [1.9]	16	13	825 [389.4]	7940623
RA1624AJ1	R801TA050314MXA	RCF2414STAM	24000 [7.0]	17500 [5.1]	6500 [1.9]	16	13	800 [377.6]	8079935
		RCF2417HTAM	24000 [7.0]	17500 [5.1]	6500 [1.9]	16	13	875 [413.0]	8079936
		RCF2417MTAM	24000 [7.0]	17500 [5.1]	6500 [1.9]	16	13	850 [401.2]	8079941
		RCF2417STAM	24000 [7.0]	17500 [5.1]	6500 [1.9]	16	13	825 [389.4]	8079946
RA1624AJ1	R801TA075317ZSA	RCF2417HTAM	24000 [7.0]	17500 [5.1]	6500 [1.9]	16	13	875 [413.0]	7940576
		RCF2417MTAM	24000 [7.0]	17500 [5.1]	6500 [1.9]	16	13	875 [413.0]	7940600
		RCF2417STAM	24000 [7.0]	17500 [5.1]	6500 [1.9]	16	13	850 [401.2]	7940624
		RCF2421MTAM	24000 [7.0]	17500 [5.1]	6500 [1.9]	16	13	875 [413.0]	7940681
RA1624AJ1	R801TA075317ZXA	RCF2417HTAM	24000 [7.0]	17500 [5.1]	6500 [1.9]	16	13	650 [306.8]	8079937
		RCF2417MTAM	24000 [7.0]	17500 [5.1]	6500 [1.9]	16	13	650 [306.8]	8079942
		RCF2417STAM	24000 [7.0]	17500 [5.1]	6500 [1.9]	16	13	850 [401.2]	8079947
		RCF2421MTAM	24000 [7.0]	17500 [5.1]	6500 [1.9]	16	13	650 [306.8]	8079958
RA1624AJ1	R801TA075317ZSA	RCF2421HTAM	24000 [7.0]	17500 [5.1]	6500 [1.9]	16	13	875 [413.0]	7940648
RA1624AJ1	R801TA075317ZXA	RCF2421HTAM	24000 [7.0]	17500 [5.1]	6500 [1.9]	16	13	650 [306.8]	8079951
RA1630AJ1	R801TA050314MSA	RCF3617STAM	28800 [8.4]	21900 [6.4]	6900 [2.0]	16	13	1000 [471.9]	7940904
RA1630AJ1	R801TA050314MXA	RCF3617STAM	28800 [8.4]	21900 [6.4]	6900 [2.0]	16	13	1000 [471.9]	8079999
RA1630AJ1	R801TA075317ZSA	RCF3617STAM	28400 [8.3]	21100 [6.2]	7300 [2.1]	16	13	875 [413.0]	7940905
		RCF3621MTAM	30000 [8.8]	22800 [6.7]	7200 [2.1]	16	13	1075 [507.3]	7940931
		RCF3621STAM	28400 [8.3]	21100 [6.2]	7300 [2.1]	16	13	875 [413.0]	7940975
RA1630AJ1	R801TA075317ZXA	RCF3617STAM	28400 [8.3]	21100 [6.2]	7300 [2.1]	16	13	875 [413.0]	8080000
		RCF3621MTAM	29600 [8.7]	20500 [6.0]	9100 [2.7]	16	13	875 [413.0]	8080029
		RCF3621STAM	28400 [8.3]	21100 [6.2]	7300 [2.1]	16	13	875 [413.0]	8080042
RA1630AJ1	R801TA075417MSA	RCF3617STAM	29000 [8.5]	22100 [6.5]	6900 [2.0]	16	13	1000 [471.9]	7940906
		RCF3621HTAM	30000 [8.8]	22800 [6.7]	7200 [2.1]	16	13	1050 [495.5]	8080005
		RCF3621MTAM	30000 [8.8]	22800 [6.7]	7200 [2.1]	16	13	1050 [495.5]	7940932
		RCF3621STAM	29000 [8.5]	22200 [6.5]	6800 [2.0]	16	13	1025 [483.7]	7940976

[] Designates Metric Conversions

Performance Data @ AHRI Standard Conditions – Cooling (con't.)

R801T: Classic Plus Single-Stage X-13 80% Furnace Ratings									
Outdoor Unit	Furnace	Indoor Coil	Total Capacity BTU/H [kW]	Net Sensible BTU/H [kW]	Net Latent BTU/H [kW]	SEER	EER	Indoor CFM [L/s]	AHRI#
RA1630AJ1	R801TA075417MXA	RCF3617STAM	29000 [8.5]	22100 [6.5]	6900 [2.0]	16	13	1000 [471.9]	8080001
		RCF3621MTAM	30000 [8.8]	22800 [6.7]	7200 [2.1]	16	13	1050 [495.5]	8080030
		RCF3621STAM	29000 [8.5]	22200 [6.5]	6800 [2.0]	16	13	1025 [483.7]	8080043
RA1630AJ1	R801TA075421MSA	RCF3621HTAM	30000 [8.8]	22800 [6.7]	7200 [2.1]	16	13	1050 [495.5]	8080006
		RCF3621MTAM	30000 [8.8]	22800 [6.7]	7200 [2.1]	16	13	1025 [483.7]	8080031
		RCF3621STAM	29000 [8.5]	22200 [6.5]	6800 [2.0]	16	13	1025 [483.7]	8080044
		RCF3624HTAM	30000 [8.8]	22800 [6.7]	7200 [2.1]	16	13	1050 [495.5]	8080055
		RCF3624MTAM	30000 [8.8]	22800 [6.7]	7200 [2.1]	16	13	1025 [483.7]	8080065
RA1630AJ1	R801TA075521ZSA	RCF3621MTAM	30000 [8.8]	22800 [6.7]	7200 [2.1]	16	13	1000 [471.9]	7940933
		RCF3621STAM	28800 [8.4]	21800 [6.4]	7000 [2.1]	16	13	975 [460.1]	7940977
		RCF3624HTAM	30000 [8.8]	22800 [6.7]	7200 [2.1]	16	13	1025 [483.7]	7941019
		RCF3624MTAM	30000 [8.8]	22800 [6.7]	7200 [2.1]	16	13	1000 [471.9]	7941050
RA1630AJ1	R801TA075521ZXA	RCF3621MTAM	30000 [8.8]	22800 [6.7]	7200 [2.1]	16	13	1000 [471.9]	8080032
		RCF3621STAM	28800 [8.4]	21800 [6.4]	7000 [2.1]	16	13	975 [460.1]	8080045
		RCF3624HTAM	30000 [8.8]	22800 [6.7]	7200 [2.1]	16	13	1025 [483.7]	8080056
		RCF3624MTAM	30000 [8.8]	22800 [6.7]	7200 [2.1]	16	13	1000 [471.9]	8080066
RA1630AJ1	R801TA100521MSA	RCF3621HTAM	30000 [8.8]	22800 [6.7]	7200 [2.1]	16	13	1075 [507.3]	8080007
		RCF3621MTAM	30000 [8.8]	22800 [6.7]	7200 [2.1]	16	13	1050 [495.5]	7940934
		RCF3621STAM	29000 [8.5]	22100 [6.5]	6900 [2.0]	16	13	1000 [471.9]	7940978
		RCF3624MTAM	30000 [8.8]	22800 [6.7]	7200 [2.1]	16	13	1050 [495.5]	7941051
RA1630AJ1	R801TA100521MXA	RCF3621MTAM	30000 [8.8]	22800 [6.7]	7200 [2.1]	16	13	1050 [495.5]	8080033
		RCF3621STAM	29000 [8.5]	22100 [6.5]	6900 [2.0]	16	13	1000 [471.9]	8080046
		RCF3624MTAM	30000 [8.8]	22800 [6.7]	7200 [2.1]	16	13	1050 [495.5]	8080067
RA1630AJ1	R801TA100521ZSA	RCF3621MTAM	30000 [8.8]	21100 [6.2]	8900 [2.6]	16	13	975 [460.1]	7940935
		RCF3621STAM	28800 [8.4]	21800 [6.4]	7000 [2.1]	16	13	975 [460.1]	7940979
		RCF3624HTAM	30000 [8.8]	22800 [6.7]	7200 [2.1]	16	13	1025 [483.7]	7941020
		RCF3624MTAM	30000 [8.8]	21100 [6.2]	8900 [2.6]	16	13	975 [460.1]	7941052
RA1630AJ1	R801TA100521ZXA	RCF3621MTAM	30000 [8.8]	21200 [6.2]	8800 [2.6]	16	13	975 [460.1]	8080034
		RCF3621STAM	28800 [8.4]	21800 [6.4]	7000 [2.1]	16	13	975 [460.1]	8080047
		RCF3624HTAM	30000 [8.8]	22800 [6.7]	7200 [2.1]	16	13	1025 [483.7]	8080057
		RCF3624MTAM	30000 [8.8]	21200 [6.2]	8800 [2.6]	16	13	975 [460.1]	8080068
RA1630AJ1	R801TA125524ZSA	RCF3624HTAM	30000 [8.8]	22800 [6.7]	7200 [2.1]	16	13	975 [460.1]	7941021
		RCF3624MTAM	29800 [8.7]	20700 [6.1]	9100 [2.7]	16	13	925 [436.6]	7941053
RA1630AJ1	R801TA125524ZXA	RCF3624HTAM	30000 [8.8]	22800 [6.7]	7200 [2.1]	16	13	975 [460.1]	8080058
		RCF3624MTAM	29800 [8.7]	20900 [6.1]	8900 [2.6]	16	13	925 [436.6]	8080069
RA1636BC1	R801TA050314MSA	RCF3617STAM	35600 [10.4]	24900 [7.3]	10700 [3.1]	15.1	12.5	1000 [471.9]	8177894
RA1636BC1	R801TA075317ZSA	RCF3617STAM	35800 [10.5]	25300 [7.4]	10500 [3.1]	15.1	12.5	1050 [495.5]	8177895
		RCF3621MTAM	36000 [10.6]	25600 [7.5]	10400 [3.0]	15.5	13	1075 [507.3]	8177945
		RCF3621STAM	35800 [10.5]	25300 [7.4]	10500 [3.1]	15.1	12.5	1050 [495.5]	8177993
RA1636BC1	R801TA075417MSA	RCF3617STAM	36000 [10.6]	25600 [7.5]	10400 [3.0]	15.1	12.5	1125 [530.9]	8177896
		RCF3621HTAM	36000 [10.6]	25600 [7.5]	10400 [3.0]	16	13	1200 [566.3]	8177921
		RCF3621MTAM	36000 [10.6]	25600 [7.5]	10400 [3.0]	15.5	13	1275 [601.7]	8177946
		RCF3621STAM	35800 [10.5]	25100 [7.4]	10700 [3.1]	15.5	13	1000 [471.9]	8177994
RA1636BC1	R801TA075421MSA	RCF3621HTAM	36000 [10.6]	25600 [7.5]	10400 [3.0]	16	13	1250 [589.9]	8177922
		RCF3621MTAM	36000 [10.6]	25600 [7.5]	10400 [3.0]	15.5	13	1225 [578.1]	8177947
		RCF3621STAM	35800 [10.5]	25100 [7.4]	10700 [3.1]	15.5	13	1000 [471.9]	8177995
		RCF3624HTAM	36000 [10.6]	25600 [7.5]	10400 [3.0]	16	13	1250 [589.9]	8178041
		RCF3624MTAM	36000 [10.6]	25600 [7.5]	10400 [3.0]	15.5	13	1225 [578.1]	8178077

[] Designates Metric Conversions

Performance Data @ AHRI Standard Conditions – Cooling (con't.)

R801T: Classic Plus Single-Stage X-13 80% Furnace Ratings									
Outdoor Unit	Furnace	Indoor Coil	Total Capacity BTU/H [kW]	Net Sensible BTU/H [kW]	Net Latent BTU/H [kW]	SEER	EER	Indoor CFM [L/s]	AHRI#
RA1636BC1	R801TA075521ZSA	RCF3621MTAM	36000 [10.6]	25600 [7.5]	10400 [3.0]	15.5	13	1225 [578.1]	8177948
		RCF3621STAM	35600 [10.4]	24700 [7.2]	10900 [3.2]	15.5	13	950 [448.4]	8177996
		RCF3624HTAM	36000 [10.6]	25600 [7.5]	10400 [3.0]	16	13	1250 [589.9]	8178042
		RCF3624MTAM	36000 [10.6]	25600 [7.5]	10400 [3.0]	15.5	13	1225 [578.1]	8178078
RA1636BC1	R801TA100521MSA	RCF3621HTAM	36000 [10.6]	25600 [7.5]	10400 [3.0]	16	13	1075 [507.3]	8177923
		RCF3621MTAM	36000 [10.6]	25600 [7.5]	10400 [3.0]	16	13	1050 [495.5]	8177949
		RCF3621STAM	35800 [10.5]	25100 [7.4]	10700 [3.1]	15.5	13	1000 [471.9]	8177997
		RCF3624HTAM	36000 [10.6]	25600 [7.5]	10400 [3.0]	16	13	1100 [519.1]	8178043
RA1636BC1	R801TA100521ZSA	RCF3624MTAM	36000 [10.6]	25600 [7.5]	10400 [3.0]	16	13	1050 [495.5]	8178079
		RCF3621MTAM	36000 [10.6]	25600 [7.5]	10400 [3.0]	15.5	13	1225 [578.1]	8177950
		RCF3621STAM	35600 [10.4]	24700 [7.2]	10900 [3.2]	15.5	13	950 [448.4]	8177998
		RCF3624HTAM	36000 [10.6]	25600 [7.5]	10400 [3.0]	16	13	1250 [589.9]	8178044
RA1636BC1	R801TA125524MSA	RCF3624MTAM	36000 [10.6]	25600 [7.5]	10400 [3.0]	15.5	13	1225 [578.1]	8178080
		RCF3624HTAM	36000 [10.6]	25600 [7.5]	10400 [3.0]	16	13	1200 [566.3]	8178045
		RCF3624MTAM	36000 [10.6]	25600 [7.5]	10400 [3.0]	16	13	1175 [554.5]	8178081
		RCF3624HTAM	36000 [10.6]	25600 [7.5]	10400 [3.0]	16	13	1150 [542.7]	8178046
RA1636BC1	R801TA125524ZSA	RCF3624MTAM	36000 [10.6]	25600 [7.5]	10400 [3.0]	15.5	13	1100 [519.1]	8178082
		RCF3624HTAM	36000 [10.6]	25600 [7.5]	10400 [3.0]	16	13	1150 [542.7]	8178046
RA1636BJ1	R801TA050314MSA	RCF3617STAM	35600 [10.4]	24900 [7.3]	10700 [3.1]	15.1	12.5	1000 [471.9]	8178425
RA1636BJ1	R801TA075317ZSA	RCF3617STAM	35800 [10.5]	25300 [7.4]	10500 [3.1]	15.1	12.5	1050 [495.5]	8178426
		RCF3621MTAM	36000 [10.6]	25600 [7.5]	10400 [3.0]	15.5	13	1075 [507.3]	8178476
		RCF3621STAM	35800 [10.5]	25300 [7.4]	10500 [3.1]	15.1	12.5	1050 [495.5]	8178522
RA1636BJ1	R801TA075417MSA	RCF3617STAM	36000 [10.6]	25600 [7.5]	10400 [3.0]	15.1	12.5	1125 [530.9]	8178427
		RCF3621HTAM	36000 [10.6]	25600 [7.5]	10400 [3.0]	16	13	1200 [566.3]	8178452
		RCF3621MTAM	36000 [10.6]	25600 [7.5]	10400 [3.0]	15.5	13	1275 [601.7]	8178477
		RCF3621STAM	35800 [10.5]	25100 [7.4]	10700 [3.1]	15.5	13	1000 [471.9]	8178523
RA1636BJ1	R801TA075421MSA	RCF3621HTAM	36000 [10.6]	25600 [7.5]	10400 [3.0]	16	13	1250 [589.9]	8178453
		RCF3621MTAM	36000 [10.6]	25600 [7.5]	10400 [3.0]	15.5	13	1225 [578.1]	8178478
		RCF3621STAM	35800 [10.5]	25100 [7.4]	10700 [3.1]	15.5	13	1000 [471.9]	8178524
		RCF3624HTAM	36000 [10.6]	25600 [7.5]	10400 [3.0]	16	13	1250 [589.9]	8178568
		RCF3624MTAM	36000 [10.6]	25600 [7.5]	10400 [3.0]	15.5	13	1225 [578.1]	8178603
RA1636BJ1	R801TA075521ZSA	RCF3621MTAM	36000 [10.6]	25600 [7.5]	10400 [3.0]	15.5	13	1225 [578.1]	8178479
		RCF3621STAM	35600 [10.4]	24700 [7.2]	10900 [3.2]	15.5	13	950 [448.4]	8178525
		RCF3624HTAM	36000 [10.6]	25600 [7.5]	10400 [3.0]	16	13	1250 [589.9]	8178569
		RCF3624MTAM	36000 [10.6]	25600 [7.5]	10400 [3.0]	15.5	13	1225 [578.1]	8178604
RA1636BJ1	R801TA100521MSA	RCF3621HTAM	36000 [10.6]	25600 [7.5]	10400 [3.0]	16	13	1075 [507.3]	8178454
		RCF3621MTAM	36000 [10.6]	25600 [7.5]	10400 [3.0]	16	13	1050 [495.5]	8178480
		RCF3621STAM	35800 [10.5]	25100 [7.4]	10700 [3.1]	15.5	13	1000 [471.9]	8178526
		RCF3624HTAM	36000 [10.6]	25600 [7.5]	10400 [3.0]	16	13	1100 [519.1]	8178570
		RCF3624MTAM	36000 [10.6]	25600 [7.5]	10400 [3.0]	16	13	1050 [495.5]	8178605
RA1636BJ1	R801TA100521ZSA	RCF3621MTAM	36000 [10.6]	25600 [7.5]	10400 [3.0]	15.5	13	1225 [578.1]	8178481
		RCF3621STAM	35600 [10.4]	24700 [7.2]	10900 [3.2]	15.5	13	950 [448.4]	8178527
		RCF3624HTAM	36000 [10.6]	25600 [7.5]	10400 [3.0]	16	13	1250 [589.9]	8178571
		RCF3624MTAM	36000 [10.6]	25600 [7.5]	10400 [3.0]	15.5	13	1225 [578.1]	8178606
RA1636BJ1	R801TA125524MSA	RCF3624HTAM	36000 [10.6]	25600 [7.5]	10400 [3.0]	16	13	1200 [566.3]	8178572
		RCF3624MTAM	36000 [10.6]	25600 [7.5]	10400 [3.0]	16	13	1175 [554.5]	8178607
RA1636BJ1	R801TA125524ZSA	RCF3624HTAM	36000 [10.6]	25600 [7.5]	10400 [3.0]	16	13	1150 [542.7]	8178573
		RCF3624MTAM	36000 [10.6]	25600 [7.5]	10400 [3.0]	15.5	13	1100 [519.1]	8178608
RA1642AC1	R801TA075317ZSA	RCF4821STAM	40000 [11.7]	27400 [8.0]	12600 [3.7]	15.5	13	1075 [507.3]	7942224

[] Designates Metric Conversions

Performance Data @ AHRI Standard Conditions – Cooling (con't.)

R801T: Classic Plus Single-Stage X-13 80% Furnace Ratings									
Outdoor Unit	Furnace	Indoor Coil	Total Capacity BTU/H [kW]	Net Sensible BTU/H [kW]	Net Latent BTU/H [kW]	SEER	EER	Indoor CFM [L/s]	AHRI#
RA1642AC1	R801TA075317ZXA	RCF4821STAM	40000 [11.7]	27400 [8.0]	12600 [3.7]	15.5	13	1075 [507.3]	8080540
RA1642AC1	R801TA075417MSA	RCF4821MTAM	42000 [12.3]	28900 [8.5]	13100 [3.8]	16	13	1300 [613.5]	8080514
		RCF4821STAM	41000 [12.0]	29500 [8.6]	11500 [3.4]	15.5	13	1275 [601.7]	7942225
RA1642AC1	R801TA075417MXA	RCF4821STAM	41000 [12.0]	29500 [8.6]	11500 [3.4]	15.5	13	1275 [601.7]	8080541
RA1642AC1	R801TA075421MSA	RCF4821MTAM	41500 [12.2]	28200 [8.3]	13300 [3.9]	16	13	1250 [589.9]	8080515
		RCF4821STAM	40500 [11.9]	28600 [8.4]	11900 [3.5]	16	13	1200 [566.3]	8080542
		RCF4824HTAM	42000 [12.3]	31100 [9.1]	10900 [3.2]	16	13	1425 [672.5]	8080553
		RCF4824STAM	40500 [11.9]	28600 [8.4]	11900 [3.5]	16	13	1200 [566.3]	8080565
RA1642AC1	R801TA075521ZSA	RCF4821STAM	41000 [12.0]	29200 [8.6]	11800 [3.5]	15.5	13	1225 [578.1]	7942226
		RCF4824HTAM	42000 [12.3]	31100 [9.1]	10900 [3.2]	16	13	1450 [684.3]	7942270
		RCF4824STAM	41000 [12.0]	29200 [8.6]	11800 [3.5]	15.5	13	1225 [578.1]	7942306
RA1642AC1	R801TA075521ZXA	RCF4821STAM	41000 [12.0]	29200 [8.6]	11800 [3.5]	15.5	13	1225 [578.1]	8080543
		RCF4824HTAM	42000 [12.3]	31100 [9.1]	10900 [3.2]	16	13	1450 [684.3]	8080554
		RCF4824STAM	41000 [12.0]	29200 [8.6]	11800 [3.5]	15.5	13	1225 [578.1]	8080566
RA1642AC1	R801TA100521MSA	RCF4821MTAM	42000 [12.3]	31100 [9.1]	10900 [3.2]	16	13	1425 [672.5]	8080516
		RCF4821STAM	41500 [12.2]	30300 [8.9]	11200 [3.3]	16	13	1325 [625.3]	7942227
		RCF4824HTAM	42000 [12.3]	31100 [9.1]	10900 [3.2]	16	13	1425 [672.5]	7942271
		RCF4824STAM	41500 [12.2]	30300 [8.9]	11200 [3.3]	16	13	1325 [625.3]	7942307
RA1642AC1	R801TA100521MXA	RCF4821STAM	41500 [12.2]	30300 [8.9]	11200 [3.3]	16	13	1325 [625.3]	8080544
		RCF4824HTAM	42000 [12.3]	31100 [9.1]	10900 [3.2]	16	13	1425 [672.5]	8080555
		RCF4824STAM	41500 [12.2]	30300 [8.9]	11200 [3.3]	16	13	1325 [625.3]	8080567
RA1642AC1	R801TA100521ZSA	RCF4821STAM	41000 [12.0]	29200 [8.6]	11800 [3.5]	15.5	13	1225 [578.1]	7942228
		RCF4824HTAM	42000 [12.3]	31100 [9.1]	10900 [3.2]	16	13	1425 [672.5]	7942272
		RCF4824STAM	41000 [12.0]	29200 [8.6]	11800 [3.5]	15.5	13	1225 [578.1]	7942308
RA1642AC1	R801TA100521ZXA	RCF4821STAM	41000 [12.0]	29200 [8.6]	11800 [3.5]	15.5	13	1225 [578.1]	8080545
		RCF4824HTAM	42000 [12.3]	31100 [9.1]	10900 [3.2]	16	13	1425 [672.5]	8080556
		RCF4824STAM	41000 [12.0]	29200 [8.6]	11800 [3.5]	15.5	13	1225 [578.1]	8080568
RA1642AC1	R801TA125524MSA	RCF4824HTAM	42000 [12.3]	31100 [9.1]	10900 [3.2]	16	13	1375 [648.9]	7942273
		RCF4824STAM	41500 [12.2]	30400 [8.9]	11100 [3.3]	16	13	1350 [637.1]	7942309
RA1642AC1	R801TA125524MXA	RCF4824HTAM	42000 [12.3]	31100 [9.1]	10900 [3.2]	16	13	1375 [648.9]	8080557
		RCF4824STAM	41500 [12.2]	30400 [8.9]	11100 [3.3]	16	13	1350 [637.1]	8080569
RA1642AC1	R801TA125524ZSA	RCF4824HTAM	42000 [12.3]	31100 [9.1]	10900 [3.2]	16	13	1375 [648.9]	7942274
		RCF4824STAM	40500 [11.9]	28000 [8.2]	12500 [3.7]	16	13	1100 [519.1]	7942310
RA1642AC1	R801TA125524ZXA	RCF4824HTAM	42000 [12.3]	31100 [9.1]	10900 [3.2]	16	13	1375 [648.9]	8080558
		RCF4824STAM	40500 [11.9]	28000 [8.2]	12500 [3.7]	16	13	1100 [519.1]	8080570
RA1642AJ1	R801TA075317ZSA	RCF4821STAM	40000 [11.7]	27400 [8.0]	12600 [3.7]	15.5	13	1075 [507.3]	7942560
RA1642AJ1	R801TA075317ZXA	RCF4821STAM	40000 [11.7]	27400 [8.0]	12600 [3.7]	15.5	13	1075 [507.3]	8080655
RA1642AJ1	R801TA075417MSA	RCF4821MTAM	42000 [12.3]	28900 [8.5]	13100 [3.8]	16	13	1300 [613.5]	8080629
		RCF4821STAM	41000 [12.0]	29500 [8.6]	11500 [3.4]	15.5	13	1275 [601.7]	7942561
RA1642AJ1	R801TA075417MXA	RCF4821STAM	41000 [12.0]	29500 [8.6]	11500 [3.4]	15.5	13	1275 [601.7]	8080656
RA1642AJ1	R801TA075421MSA	RCF4821MTAM	41500 [12.2]	28200 [8.3]	13300 [3.9]	16	13	1250 [589.9]	8080630
		RCF4821STAM	40500 [11.9]	28600 [8.4]	11900 [3.5]	16	13	1200 [566.3]	8080657
		RCF4824HTAM	42000 [12.3]	31100 [9.1]	10900 [3.2]	16	13	1425 [672.5]	8080668
		RCF4824STAM	40500 [11.9]	28600 [8.4]	11900 [3.5]	16	13	1200 [566.3]	8080680
RA1642AJ1	R801TA075521ZSA	RCF4821STAM	41000 [12.0]	29200 [8.6]	11800 [3.5]	15.5	13	1225 [578.1]	7942562
		RCF4824HTAM	42000 [12.3]	31100 [9.1]	10900 [3.2]	16	13	1450 [684.3]	7942606
		RCF4824STAM	41000 [12.0]	29200 [8.6]	11800 [3.5]	15.5	13	1225 [578.1]	7942642

[] Designates Metric Conversions

Performance Data @ AHRI Standard Conditions – Cooling (con't.)

R801T: Classic Plus Single-Stage X-13 80% Furnace Ratings									
Outdoor Unit	Furnace	Indoor Coil	Total Capacity BTU/H [kW]	Net Sensible BTU/H [kW]	Net Latent BTU/H [kW]	SEER	EER	Indoor CFM [L/s]	AHRI#
RA1642AJ1	R801TA075521ZXA	RCF4821STAM	41000 [12.0]	29200 [8.6]	11800 [3.5]	15.5	13	1225 [578.1]	8080658
		RCF4824HTAM	42000 [12.3]	31100 [9.1]	10900 [3.2]	16	13	1450 [684.3]	8080669
		RCF4824STAM	41000 [12.0]	29200 [8.6]	11800 [3.5]	15.5	13	1225 [578.1]	8080681
RA1642AJ1	R801TA100521MSA	RCF4821MTAM	42000 [12.3]	31100 [9.1]	10900 [3.2]	16	13	1425 [672.5]	8080631
		RCF4821STAM	41500 [12.2]	30300 [8.9]	11200 [3.3]	16	13	1325 [625.3]	7942563
		RCF4824HTAM	42000 [12.3]	31100 [9.1]	10900 [3.2]	16	13	1425 [672.5]	7942607
RA1642AJ1	R801TA100521MXA	RCF4824STAM	41500 [12.2]	30300 [8.9]	11200 [3.3]	16	13	1325 [625.3]	7942643
		RCF4821STAM	41500 [12.2]	30300 [8.9]	11200 [3.3]	16	13	1325 [625.3]	8080659
		RCF4824HTAM	42000 [12.3]	31100 [9.1]	10900 [3.2]	16	13	1425 [672.5]	8080670
RA1642AJ1	R801TA100521ZSA	RCF4824STAM	41500 [12.2]	30300 [8.9]	11200 [3.3]	16	13	1325 [625.3]	8080682
		RCF4821STAM	41000 [12.0]	29200 [8.6]	11800 [3.5]	15.5	13	1225 [578.1]	7942564
		RCF4824HTAM	42000 [12.3]	31100 [9.1]	10900 [3.2]	16	13	1425 [672.5]	7942608
RA1642AJ1	R801TA100521ZXA	RCF4824STAM	41000 [12.0]	29200 [8.6]	11800 [3.5]	15.5	13	1225 [578.1]	7942644
		RCF4821STAM	41000 [12.0]	29200 [8.6]	11800 [3.5]	15.5	13	1225 [578.1]	8080660
		RCF4824HTAM	42000 [12.3]	31100 [9.1]	10900 [3.2]	16	13	1425 [672.5]	8080671
RA1642AJ1	R801TA125524MSA	RCF4824STAM	41000 [12.0]	29200 [8.6]	11800 [3.5]	15.5	13	1225 [578.1]	8080683
		RCF4824HTAM	42000 [12.3]	31100 [9.1]	10900 [3.2]	16	13	1375 [648.9]	7942609
		RCF4824STAM	41500 [12.2]	30400 [8.9]	11100 [3.3]	16	13	1350 [637.1]	7942645
RA1642AJ1	R801TA125524MXA	RCF4824HTAM	42000 [12.3]	31100 [9.1]	10900 [3.2]	16	13	1375 [648.9]	8080672
		RCF4824STAM	41500 [12.2]	30400 [8.9]	11100 [3.3]	16	13	1350 [637.1]	8080684
		RCF4824HTAM	42000 [12.3]	31100 [9.1]	10900 [3.2]	16	13	1375 [648.9]	7942610
RA1642AJ1	R801TA125524ZSA	RCF4824STAM	40500 [11.9]	28000 [8.2]	12500 [3.7]	16	13	1100 [519.1]	7942646
		RCF4824HTAM	42000 [12.3]	31100 [9.1]	10900 [3.2]	16	13	1375 [648.9]	8080673
		RCF4824STAM	40500 [11.9]	28000 [8.2]	12500 [3.7]	16	13	1100 [519.1]	8080685
RA1648AC1	R801TA075317ZSA	RCF4821STAM	43500 [12.7]	29500 [8.6]	14000 [4.1]	15.5	13	1225 [578.1]	7942895
RA1648AC1	R801TA075317ZXA	RCF4821STAM	43500 [12.7]	29500 [8.6]	14000 [4.1]	15.5	13	1225 [578.1]	8080764
RA1648AC1	R801TA075417MSA	RCF4821MTAM	45000 [13.2]	32900 [9.6]	12100 [3.5]	16	13	1300 [613.5]	8080744
		RCF4821STAM	43500 [12.7]	29200 [8.6]	14300 [4.2]	16	13	1175 [554.5]	7942896
RA1648AC1	R801TA075417MXA	RCF4821STAM	43500 [12.7]	29200 [8.6]	14300 [4.2]	16	13	1175 [554.5]	8080765
RA1648AC1	R801TA075421MSA	RCF4821MTAM	45500 [13.3]	34200 [10.0]	11300 [3.3]	16	13	1425 [672.5]	8080745
		RCF4821STAM	44000 [12.9]	29800 [8.7]	14200 [4.2]	16	13	1200 [566.3]	8080766
		RCF4824HTAM	46000 [13.5]	32800 [9.6]	13200 [3.9]	16	13	1425 [672.5]	8080776
		RCF4824STAM	44000 [12.9]	29800 [8.7]	14200 [4.2]	16	13	1200 [566.3]	8080788
RA1648AC1	R801TA075521ZSA	RCF4821STAM	44000 [12.9]	29800 [8.7]	14200 [4.2]	16	13	1200 [566.3]	7942897
		RCF4824HTAM	46000 [13.5]	33000 [9.7]	13000 [3.8]	16	13	1450 [684.3]	7942933
		RCF4824STAM	44000 [12.9]	29800 [8.7]	14200 [4.2]	16	13	1200 [566.3]	7942968
RA1648AC1	R801TA075521ZXA	RCF4821STAM	44000 [12.9]	29800 [8.7]	14200 [4.2]	16	13	1200 [566.3]	8080767
		RCF4824HTAM	46000 [13.5]	33000 [9.7]	13000 [3.8]	16	13	1450 [684.3]	8080777
		RCF4824STAM	44000 [12.9]	29800 [8.7]	14200 [4.2]	16	13	1200 [566.3]	8080789
RA1648AC1	R801TA100521MSA	RCF4821MTAM	45500 [13.3]	34000 [10.0]	11500 [3.4]	16	13	1400 [660.7]	8080746
		RCF4821STAM	44500 [13.0]	31400 [9.2]	13100 [3.8]	16	13	1375 [648.9]	7942898
		RCF4824HTAM	47000 [13.8]	35300 [10.3]	11700 [3.4]	16	13	1650 [778.7]	7942934
		RCF4824STAM	44500 [13.0]	31400 [9.2]	13100 [3.8]	16	13	1375 [648.9]	7942969
RA1648AC1	R801TA100521MXA	RCF4821STAM	44500 [13.0]	31400 [9.2]	13100 [3.8]	16	13	1375 [648.9]	8080768
		RCF4824HTAM	47000 [13.8]	35300 [10.3]	11700 [3.4]	16	13	1650 [778.7]	8080778
		RCF4824STAM	44500 [13.0]	31400 [9.2]	13100 [3.8]	16	13	1375 [648.9]	8080790
RA1648AC1	R801TA100521ZSA	RCF4821STAM	44000 [12.9]	29800 [8.7]	14200 [4.2]	16	13	1200 [566.3]	7942899
		RCF4824HTAM	46000 [13.5]	32800 [9.6]	13200 [3.9]	16	13	1425 [672.5]	7942935
		RCF4824STAM	44000 [12.9]	29800 [8.7]	14200 [4.2]	16	13	1200 [566.3]	7942970

[] Designates Metric Conversions



Performance Data @ AHRI Standard Conditions – Cooling (con't.)

R801T: Classic Plus Single-Stage X-13 80% Furnace Ratings									
Outdoor Unit	Furnace	Indoor Coil	Total Capacity BTU/H [kW]	Net Sensible BTU/H [kW]	Net Latent BTU/H [kW]	SEER	EER	Indoor CFM [L/s]	AHRI#
RA1648AC1	R801TA100521ZXA	RCF4821STAM	44000 [12.9]	29800 [8.7]	14200 [4.2]	16	13	1200 [566.3]	8080769
		RCF4824HTAM	46000 [13.5]	32800 [9.6]	13200 [3.9]	16	13	1425 [672.5]	8080779
		RCF4824STAM	44000 [12.9]	29800 [8.7]	14200 [4.2]	16	13	1200 [566.3]	8080791
RA1648AC1	R801TA125524MSA	RCF4824HTAM	47000 [13.8]	35300 [10.3]	11700 [3.4]	16	13	1650 [778.7]	7942936
		RCF4824STAM	44500 [13.0]	31100 [9.1]	13400 [3.9]	16	13	1325 [625.3]	7942971
RA1648AC1	R801TA125524MXA	RCF4824HTAM	47000 [13.8]	35300 [10.3]	11700 [3.4]	16	13	1650 [778.7]	8080780
		RCF4824STAM	44500 [13.0]	31100 [9.1]	13400 [3.9]	16	13	1325 [625.3]	8080792
RA1648AC1	R801TA125524ZSA	RCF4824HTAM	46000 [13.5]	32500 [9.5]	13500 [4.0]	16	13	1375 [648.9]	7942937
		RCF4824STAM	44500 [13.0]	31100 [9.1]	13400 [3.9]	15.5	13	1325 [625.3]	7942972
RA1648AC1	R801TA125524ZXA	RCF4824HTAM	46000 [13.5]	32500 [9.5]	13500 [4.0]	16	13	1375 [648.9]	8080781
		RCF4824STAM	44500 [13.0]	31100 [9.1]	13400 [3.9]	15.5	13	1325 [625.3]	8080793
RA1648AJ1	R801TA075317ZSA	RCF4821STAM	43500 [12.7]	29500 [8.6]	14000 [4.1]	15.5	13	1225 [578.1]	7943221
RA1648AJ1	R801TA075317ZXA	RCF4821STAM	43500 [12.7]	29500 [8.6]	14000 [4.1]	15.5	13	1225 [578.1]	8080871
RA1648AJ1	R801TA075417MSA	RCF4821MTAM	45000 [13.2]	32900 [9.6]	12100 [3.5]	16	13	1300 [613.5]	8080851
		RCF4821STAM	43500 [12.7]	29200 [8.6]	14300 [4.2]	16	13	1175 [554.5]	7943222
RA1648AJ1	R801TA075417MXA	RCF4821STAM	43500 [12.7]	29200 [8.6]	14300 [4.2]	16	13	1175 [554.5]	8080872
RA1648AJ1	R801TA075421MSA	RCF4821MTAM	45500 [13.3]	34200 [10.0]	11300 [3.3]	16	13	1425 [672.5]	8080852
		RCF4821STAM	44000 [12.9]	29800 [8.7]	14200 [4.2]	16	13	1200 [566.3]	8080873
		RCF4824HTAM	46000 [13.5]	32800 [9.6]	13200 [3.9]	16	13	1425 [672.5]	8080883
		RCF4824STAM	44000 [12.9]	29800 [8.7]	14200 [4.2]	16	13	1200 [566.3]	8080895
RA1648AJ1	R801TA075521ZSA	RCF4821STAM	44000 [12.9]	29800 [8.7]	14200 [4.2]	16	13	1200 [566.3]	7943223
		RCF4824HTAM	46000 [13.5]	33000 [9.7]	13000 [3.8]	16	13	1450 [684.3]	7943259
		RCF4824STAM	44000 [12.9]	29800 [8.7]	14200 [4.2]	16	13	1200 [566.3]	7943294
RA1648AJ1	R801TA075521ZXA	RCF4821STAM	44000 [12.9]	29800 [8.7]	14200 [4.2]	16	13	1200 [566.3]	8080874
		RCF4824HTAM	46000 [13.5]	33000 [9.7]	13000 [3.8]	16	13	1450 [684.3]	8080884
		RCF4824STAM	44000 [12.9]	29800 [8.7]	14200 [4.2]	16	13	1200 [566.3]	8080896
RA1648AJ1	R801TA100521MSA	RCF4821MTAM	45500 [13.3]	34000 [10.0]	11500 [3.4]	16	13	1400 [660.7]	8080853
		RCF4821STAM	44500 [13.0]	31400 [9.2]	13100 [3.8]	16	13	1375 [648.9]	7943224
		RCF4824HTAM	47000 [13.8]	35300 [10.3]	11700 [3.4]	16	13	1650 [778.7]	7943260
		RCF4824STAM	44500 [13.0]	31400 [9.2]	13100 [3.8]	16	13	1375 [648.9]	7943295
RA1648AJ1	R801TA100521MXA	RCF4821STAM	44500 [13.0]	31400 [9.2]	13100 [3.8]	16	13	1375 [648.9]	8080875
		RCF4824HTAM	47000 [13.8]	35300 [10.3]	11700 [3.4]	16	13	1650 [778.7]	8080885
		RCF4824STAM	44500 [13.0]	31400 [9.2]	13100 [3.8]	16	13	1375 [648.9]	8080897
RA1648AJ1	R801TA100521ZSA	RCF4821STAM	44000 [12.9]	29800 [8.7]	14200 [4.2]	16	13	1200 [566.3]	7943225
		RCF4824HTAM	46000 [13.5]	32800 [9.6]	13200 [3.9]	16	13	1425 [672.5]	7943261
		RCF4824STAM	44000 [12.9]	29800 [8.7]	14200 [4.2]	16	13	1200 [566.3]	7943296
RA1648AJ1	R801TA100521ZXA	RCF4821STAM	44000 [12.9]	29800 [8.7]	14200 [4.2]	16	13	1200 [566.3]	8080876
		RCF4824HTAM	46000 [13.5]	32800 [9.6]	13200 [3.9]	16	13	1425 [672.5]	8080886
		RCF4824STAM	44000 [12.9]	29800 [8.7]	14200 [4.2]	16	13	1200 [566.3]	8080898
RA1648AJ1	R801TA125524MSA	RCF4824HTAM	47000 [13.8]	35300 [10.3]	11700 [3.4]	16	13	1650 [778.7]	7943262
		RCF4824STAM	44500 [13.0]	31100 [9.1]	13400 [3.9]	16	13	1325 [625.3]	7943297
RA1648AJ1	R801TA125524MXA	RCF4824HTAM	47000 [13.8]	35300 [10.3]	11700 [3.4]	16	13	1650 [778.7]	8080887
		RCF4824STAM	44500 [13.0]	31100 [9.1]	13400 [3.9]	16	13	1325 [625.3]	8080899
RA1648AJ1	R801TA125524ZSA	RCF4824HTAM	46000 [13.5]	32500 [9.5]	13500 [4.0]	16	13	1375 [648.9]	7943263
		RCF4824STAM	44500 [13.0]	31100 [9.1]	13400 [3.9]	15.5	13	1325 [625.3]	7943298
RA1648AJ1	R801TA125524ZXA	RCF4824HTAM	46000 [13.5]	32500 [9.5]	13500 [4.0]	16	13	1375 [648.9]	8080888
		RCF4824STAM	44500 [13.0]	31100 [9.1]	13400 [3.9]	15.5	13	1325 [625.3]	8080900
RA1660AC1	R801TA075417MSA	RCF6021STAM	54500 [16.0]	35300 [10.3]	19200 [5.6]	15.1	12.5	1400 [660.7]	8080958

[] Designates Metric Conversions

Performance Data @ AHRI Standard Conditions – Cooling (con't.)

R801T: Classic Plus Single-Stage X-13 80% Furnace Ratings									
Outdoor Unit	Furnace	Indoor Coil	Total Capacity BTU/H [kW]	Net Sensible BTU/H [kW]	Net Latent BTU/H [kW]	SEER	EER	Indoor CFM [L/s]	AHRI#
RA1660AC1	R801TA075421MSA	RCF6021STAM	54500 [16.0]	35400 [10.4]	19100 [5.6]	15.1	12.5	1425 [672.5]	8080959
		RCF6024HTAM	56500 [16.6]	38300 [11.2]	18200 [5.3]	15.5	13	1425 [672.5]	8080980
		RCF6024STAM	56500 [16.6]	38300 [11.2]	18200 [5.3]	15.5	13	1425 [672.5]	8080992
RA1660AC1	R801TA075521ZSA	RCF6024HTAM	56500 [16.6]	38500 [11.3]	18000 [5.3]	15.5	13	1450 [684.3]	7943768
		RCF6024STAM	56500 [16.6]	38500 [11.3]	18000 [5.3]	15.5	13	1450 [684.3]	7943797
RA1660AC1	R801TA075521ZXA	RCF6024HTAM	56500 [16.6]	38500 [11.3]	18000 [5.3]	15.5	13	1450 [684.3]	8080981
		RCF6024STAM	56500 [16.6]	38500 [11.3]	18000 [5.3]	15.5	13	1450 [684.3]	8080993
RA1660AC1	R801TA100521MSA	RCF6021STAM	55000 [16.1]	36100 [10.6]	18900 [5.5]	15.5	13	1450 [684.3]	8080960
		RCF6024HTAM	58000 [17.0]	41600 [12.2]	16400 [4.8]	15.5	13	1650 [778.7]	7943769
		RCF6024STAM	58000 [17.0]	41600 [12.2]	16400 [4.8]	15.5	13	1650 [778.7]	7943798
RA1660AC1	R801TA100521MXA	RCF6024HTAM	58000 [17.0]	41600 [12.2]	16400 [4.8]	15.5	13	1650 [778.7]	8080982
		RCF6024STAM	58000 [17.0]	41600 [12.2]	16400 [4.8]	15.5	13	1650 [778.7]	8080994
RA1660AC1	R801TA100521ZSA	RCF6024HTAM	56500 [16.6]	38300 [11.2]	18200 [5.3]	15.5	13	1425 [672.5]	7943770
		RCF6024STAM	56500 [16.6]	38300 [11.2]	18200 [5.3]	15.5	13	1425 [672.5]	7943799
RA1660AC1	R801TA100521ZXA	RCF6024HTAM	56500 [16.6]	38300 [11.2]	18200 [5.3]	15.5	13	1425 [672.5]	8080983
		RCF6024STAM	56500 [16.6]	38300 [11.2]	18200 [5.3]	15.5	13	1425 [672.5]	8080995
RA1660AC1	R801TA125524MSA	RCF6024HTAM	58000 [17.0]	41600 [12.2]	16400 [4.8]	15.5	13	1650 [778.7]	7943771
		RCF6024STAM	58000 [17.0]	41600 [12.2]	16400 [4.8]	15.5	13	1650 [778.7]	7943800
RA1660AC1	R801TA125524MXA	RCF6024HTAM	58000 [17.0]	41600 [12.2]	16400 [4.8]	15.5	13	1650 [778.7]	8080984
		RCF6024STAM	58000 [17.0]	41600 [12.2]	16400 [4.8]	15.5	13	1650 [778.7]	8080996
RA1660AC1	R801TA125524ZSA	RCF6024HTAM	57500 [16.9]	41300 [12.1]	16200 [4.7]	15.1	12.5	1675 [790.5]	7943772
		RCF6024STAM	57500 [16.9]	41300 [12.1]	16200 [4.7]	15.1	12.5	1675 [790.5]	7943801
RA1660AC1	R801TA125524ZXA	RCF6024HTAM	57500 [16.9]	41300 [12.1]	16200 [4.7]	15.1	12.5	1675 [790.5]	8080985
		RCF6024STAM	57500 [16.9]	41300 [12.1]	16200 [4.7]	15.1	12.5	1675 [790.5]	8080997
RA1660AJ1	R801TA075417MSA	RCF6021STAM	54500 [16.0]	35300 [10.3]	19200 [5.6]	15.1	12.5	1400 [660.7]	8081036
RA1660AJ1	R801TA075421MSA	RCF6021STAM	54500 [16.0]	35400 [10.4]	19100 [5.6]	15.1	12.5	1425 [672.5]	8081037
		RCF6024HTAM	56500 [16.6]	38300 [11.2]	18200 [5.3]	15.5	13	1425 [672.5]	8081058
		RCF6024STAM	56500 [16.6]	38300 [11.2]	18200 [5.3]	15.5	13	1425 [672.5]	8081070
RA1660AJ1	R801TA075521ZSA	RCF6024HTAM	56500 [16.6]	38500 [11.3]	18000 [5.3]	15.5	13	1450 [684.3]	7943547
		RCF6024STAM	56500 [16.6]	38500 [11.3]	18000 [5.3]	15.5	13	1450 [684.3]	7943576
RA1660AJ1	R801TA075521ZXA	RCF6024HTAM	56500 [16.6]	38500 [11.3]	18000 [5.3]	15.5	13	1450 [684.3]	8081059
		RCF6024STAM	56500 [16.6]	38500 [11.3]	18000 [5.3]	15.5	13	1450 [684.3]	8081071
RA1660AJ1	R801TA100521MSA	RCF6021STAM	55000 [16.1]	36100 [10.6]	18900 [5.5]	15.5	13	1450 [684.3]	8081038
		RCF6024HTAM	58000 [17.0]	41600 [12.2]	16400 [4.8]	15.5	13	1650 [778.7]	7943548
		RCF6024STAM	58000 [17.0]	41600 [12.2]	16400 [4.8]	15.5	13	1650 [778.7]	7943577
RA1660AJ1	R801TA100521MXA	RCF6024HTAM	58000 [17.0]	41600 [12.2]	16400 [4.8]	15.5	13	1650 [778.7]	8081060
		RCF6024STAM	58000 [17.0]	41600 [12.2]	16400 [4.8]	15.5	13	1650 [778.7]	8081072
RA1660AJ1	R801TA100521ZSA	RCF6024HTAM	56500 [16.6]	38300 [11.2]	18200 [5.3]	15.5	13	1425 [672.5]	7943549
		RCF6024STAM	56500 [16.6]	38300 [11.2]	18200 [5.3]	15.5	13	1425 [672.5]	7943578
RA1660AJ1	R801TA100521ZXA	RCF6024HTAM	56500 [16.6]	38300 [11.2]	18200 [5.3]	15.5	13	1425 [672.5]	8081061
		RCF6024STAM	56500 [16.6]	38300 [11.2]	18200 [5.3]	15.5	13	1425 [672.5]	8081073
RA1660AJ1	R801TA125524MSA	RCF6024HTAM	58000 [17.0]	41600 [12.2]	16400 [4.8]	15.5	13	1650 [778.7]	7943550
		RCF6024STAM	58000 [17.0]	41600 [12.2]	16400 [4.8]	15.5	13	1650 [778.7]	7943579
RA1660AJ1	R801TA125524MXA	RCF6024HTAM	58000 [17.0]	41600 [12.2]	16400 [4.8]	15.5	13	1650 [778.7]	8081062
		RCF6024STAM	58000 [17.0]	41600 [12.2]	16400 [4.8]	15.5	13	1650 [778.7]	8081074
RA1660AJ1	R801TA125524ZSA	RCF6024HTAM	57500 [16.9]	41300 [12.1]	16200 [4.7]	15.1	12.5	1675 [790.5]	7943551
		RCF6024STAM	57500 [16.9]	41300 [12.1]	16200 [4.7]	15.1	12.5	1675 [790.5]	7943580
RA1660AJ1	R801TA125524ZXA	RCF6024HTAM	57500 [16.9]	41300 [12.1]	16200 [4.7]	15.1	12.5	1675 [790.5]	8081063
		RCF6024STAM	57500 [16.9]	41300 [12.1]	16200 [4.7]	15.1	12.5	1675 [790.5]	8081075

[] Designates Metric Conversions



Performance Data @ AHRI Standard Conditions – Cooling (con't.)

R802V: Prestige 2-Stage 80% ECM Furnace Ratings									
Outdoor Unit	Furnace	Indoor Coil	Total Capacity BTU/H [kW]	Net Sensible BTU/H [kW]	Net Latent BTU/H [kW]	SEER	EER	Indoor CFM [L/s]	AHRI#
RA1618AJ1	R802VA050317MSA	RCF2417HTAM	18000 [5.3]	13500 [4.0]	4500 [1.3]	16	13	675 [318.6]	7940298
		RCF2417MTAM	18000 [5.3]	13500 [4.0]	4500 [1.3]	16	13	675 [318.6]	7940319
		RCF2417STAM	18000 [5.3]	13500 [4.0]	4500 [1.3]	16	13	675 [318.6]	7940340
		RCF2421MTAM	18000 [5.3]	13500 [4.0]	4500 [1.3]	16	13	675 [318.6]	7940386
RA1618AJ1	R802VA050317MXA	RCF2417HTAM	18000 [5.3]	13500 [4.0]	4500 [1.3]	16	13	675 [318.6]	8079879
		RCF2417MTAM	18000 [5.3]	13500 [4.0]	4500 [1.3]	16	13	675 [318.6]	8079884
		RCF2417STAM	18000 [5.3]	13500 [4.0]	4500 [1.3]	16	13	675 [318.6]	8079889
		RCF2421MTAM	18000 [5.3]	13500 [4.0]	4500 [1.3]	16	13	675 [318.6]	8079899
RA1618AJ1	R802VA075317MSA	RCF2417HTAM	18000 [5.3]	13500 [4.0]	4500 [1.3]	16	13	675 [318.6]	7940299
		RCF2417MTAM	18000 [5.3]	13500 [4.0]	4500 [1.3]	16	13	675 [318.6]	7940320
		RCF2417STAM	18000 [5.3]	13500 [4.0]	4500 [1.3]	16	13	675 [318.6]	7940341
		RCF2421MTAM	18000 [5.3]	13500 [4.0]	4500 [1.3]	16	13	675 [318.6]	7940387
RA1618AJ1	R802VA075317MXA	RCF2417HTAM	18000 [5.3]	13500 [4.0]	4500 [1.3]	16	13	675 [318.6]	8079880
		RCF2417MTAM	18000 [5.3]	13500 [4.0]	4500 [1.3]	16	13	675 [318.6]	8079885
		RCF2417STAM	18000 [5.3]	13500 [4.0]	4500 [1.3]	16	13	675 [318.6]	8079890
		RCF2421MTAM	18000 [5.3]	13500 [4.0]	4500 [1.3]	16	13	675 [318.6]	8079900
RA1618AJ1	R802VA075317ZSA	RCF2417HTAM	18000 [5.3]	13500 [4.0]	4500 [1.3]	16	13	675 [318.6]	7940300
		RCF2417MTAM	18000 [5.3]	13500 [4.0]	4500 [1.3]	16	13	675 [318.6]	7940321
		RCF2417STAM	18000 [5.3]	13500 [4.0]	4500 [1.3]	16	13	675 [318.6]	7940342
		RCF2421MTAM	18000 [5.3]	13500 [4.0]	4500 [1.3]	16	13	675 [318.6]	7940388
RA1618AJ1	R802VA075317ZXA	RCF2417HTAM	18000 [5.3]	13500 [4.0]	4500 [1.3]	16	13	675 [318.6]	8079881
		RCF2417MTAM	18000 [5.3]	13500 [4.0]	4500 [1.3]	16	13	675 [318.6]	8079886
		RCF2417STAM	18000 [5.3]	13500 [4.0]	4500 [1.3]	16	13	675 [318.6]	8079891
		RCF2421MTAM	18000 [5.3]	13500 [4.0]	4500 [1.3]	16	13	675 [318.6]	8079901
RA1618AJ1	R802VA075421MSA	RCF2421MTAM	18000 [5.3]	13500 [4.0]	4500 [1.3]	16	13	675 [318.6]	8079902
RA1618AJ1	R802VA075421MXA	RCF2421MTAM	18000 [5.3]	13500 [4.0]	4500 [1.3]	16	13	675 [318.6]	8108009
RA1618AJ1	R802VA075421ZSA	RCF2421MTAM	18000 [5.3]	13500 [4.0]	4500 [1.3]	16	13	650 [306.8]	7940389
RA1618AJ1	R802VA075421ZXA	RCF2421MTAM	18000 [5.3]	13500 [4.0]	4500 [1.3]	16	13	650 [306.8]	8079903
RA1618AJ1	R802VA050317MSA	RCF2421HTAM	18000 [5.3]	13500 [4.0]	4500 [1.3]	16	13	675 [318.6]	7940360
RA1618AJ1	R802VA050317MXA	RCF2421HTAM	18000 [5.3]	13500 [4.0]	4500 [1.3]	16	13	675 [318.6]	8079893
RA1618AJ1	R802VA075317MSA	RCF2421HTAM	18000 [5.3]	13500 [4.0]	4500 [1.3]	16	13	675 [318.6]	7940361
RA1618AJ1	R802VA075317MXA	RCF2421HTAM	18000 [5.3]	13500 [4.0]	4500 [1.3]	16	13	675 [318.6]	8079894
RA1618AJ1	R802VA075317ZSA	RCF2421HTAM	18000 [5.3]	13500 [4.0]	4500 [1.3]	16	13	675 [318.6]	7940362
RA1618AJ1	R802VA075317ZXA	RCF2421HTAM	18000 [5.3]	13500 [4.0]	4500 [1.3]	16	13	675 [318.6]	8079895
RA1618AJ1	R802VA075421MSA	RCF2421HTAM	18000 [5.3]	13500 [4.0]	4500 [1.3]	16	13	675 [318.6]	8079896
RA1618AJ1	R802VA075421MXA	RCF2421HTAM	18000 [5.3]	13500 [4.0]	4500 [1.3]	16	13	675 [318.6]	8108008
RA1618AJ1	R802VA075421ZSA	RCF2421HTAM	18000 [5.3]	13500 [4.0]	4500 [1.3]	16	13	650 [306.8]	7940363
RA1618AJ1	R802VA075421ZXA	RCF2421HTAM	18000 [5.3]	13500 [4.0]	4500 [1.3]	16	13	650 [306.8]	8079897
RA1624AJ1	R802VA050317MSA	RCF2417HTAM	24000 [7.0]	17500 [5.1]	6500 [1.9]	16	13	775 [365.8]	7940577
		RCF2417MTAM	24000 [7.0]	17500 [5.1]	6500 [1.9]	16	13	775 [365.8]	7940601
		RCF2417STAM	24000 [7.0]	17500 [5.1]	6500 [1.9]	16	13	725 [342.2]	7940625
		RCF2421MTAM	24000 [7.0]	17500 [5.1]	6500 [1.9]	16	13	775 [365.8]	7940682
RA1624AJ1	R802VA050317MXA	RCF2417HTAM	24000 [7.0]	17500 [5.1]	6500 [1.9]	15.5	13	875 [413.0]	8079938
		RCF2417MTAM	24000 [7.0]	17500 [5.1]	6500 [1.9]	15.5	13	850 [401.2]	8079943
		RCF2417STAM	24000 [7.0]	17500 [5.1]	6500 [1.9]	16	13	725 [342.2]	8079948
		RCF2421MTAM	24000 [7.0]	17500 [5.1]	6500 [1.9]	15.5	13	850 [401.2]	8079959

[] Designates Metric Conversions

Performance Data @ AHRI Standard Conditions – Cooling (con't.)

R802V: Prestige 2-Stage 80% ECM Furnace Ratings									
Outdoor Unit	Furnace	Indoor Coil	Total Capacity BTU/H [kW]	Net Sensible BTU/H [kW]	Net Latent BTU/H [kW]	SEER	EER	Indoor CFM [L/s]	AHRI#
RA1624AJ1	R802VA075317MSA	RCF2417HTAM	24000 [7.0]	17500 [5.1]	6500 [1.9]	16	13	875 [413.0]	7940578
		RCF2417MTAM	24000 [7.0]	17500 [5.1]	6500 [1.9]	16	13	875 [413.0]	7940602
		RCF2417STAM	24000 [7.0]	17500 [5.1]	6500 [1.9]	16	13	875 [413.0]	7940626
		RCF2421MTAM	24000 [7.0]	17500 [5.1]	6500 [1.9]	16	13	875 [413.0]	7940683
RA1624AJ1	R802VA075317MXA	RCF2417HTAM	24000 [7.0]	17500 [5.1]	6500 [1.9]	16	13	875 [413.0]	8079939
		RCF2417MTAM	24000 [7.0]	17500 [5.1]	6500 [1.9]	16	13	875 [413.0]	8079944
		RCF2417STAM	24000 [7.0]	17500 [5.1]	6500 [1.9]	16	13	875 [413.0]	8079949
		RCF2421MTAM	24000 [7.0]	17500 [5.1]	6500 [1.9]	16	13	875 [413.0]	8079960
RA1624AJ1	R802VA075317ZSA	RCF2417HTAM	24000 [7.0]	17500 [5.1]	6500 [1.9]	16	13	875 [413.0]	7940579
		RCF2417MTAM	24000 [7.0]	17500 [5.1]	6500 [1.9]	16	13	875 [413.0]	7940603
		RCF2417STAM	24000 [7.0]	17500 [5.1]	6500 [1.9]	16	13	825 [389.4]	7940627
		RCF2421MTAM	24000 [7.0]	17500 [5.1]	6500 [1.9]	16	13	875 [413.0]	7940684
RA1624AJ1	R802VA075317ZXA	RCF2417HTAM	24000 [7.0]	17500 [5.1]	6500 [1.9]	16	13	800 [377.6]	8079940
		RCF2417MTAM	24000 [7.0]	17500 [5.1]	6500 [1.9]	16	13	800 [377.6]	8079945
		RCF2417STAM	24000 [7.0]	17500 [5.1]	6500 [1.9]	16	13	825 [389.4]	8079950
		RCF2421MTAM	24000 [7.0]	17500 [5.1]	6500 [1.9]	16	13	800 [377.6]	8079961
RA1624AJ1	R802VA075421MSA	RCF2421MTAM	24000 [7.0]	17500 [5.1]	6500 [1.9]	16	13	850 [401.2]	8079962
RA1624AJ1	R802VA075421MXA	RCF2421MTAM	24000 [7.0]	17500 [5.1]	6500 [1.9]	16	13	850 [401.2]	8108014
RA1624AJ1	R802VA075421ZSA	RCF2421MTAM	24000 [7.0]	17500 [5.1]	6500 [1.9]	16	13	875 [413.0]	7940685
RA1624AJ1	R802VA075421ZXA	RCF2421MTAM	24000 [7.0]	17500 [5.1]	6500 [1.9]	15.5	13	875 [413.0]	8079963
RA1624AJ1	R802VA100521MSA	RCF2421MTAM	24000 [7.0]	17500 [5.1]	6500 [1.9]	16	13	850 [401.2]	7940686
RA1624AJ1	R802VA100521MXA	RCF2421MTAM	24000 [7.0]	17500 [5.1]	6500 [1.9]	16	13	850 [401.2]	8079964
RA1624AJ1	R802VA050317MSA	RCF2421HTAM	24000 [7.0]	17500 [5.1]	6500 [1.9]	16	13	775 [365.8]	7940649
RA1624AJ1	R802VA050317MXA	RCF2421HTAM	24000 [7.0]	17500 [5.1]	6500 [1.9]	15.5	13	850 [401.2]	8079952
RA1624AJ1	R802VA075317MSA	RCF2421HTAM	24000 [7.0]	17500 [5.1]	6500 [1.9]	16	13	875 [413.0]	7940650
RA1624AJ1	R802VA075317MXA	RCF2421HTAM	24000 [7.0]	17500 [5.1]	6500 [1.9]	16	13	875 [413.0]	8079953
RA1624AJ1	R802VA075317ZSA	RCF2421HTAM	24000 [7.0]	17500 [5.1]	6500 [1.9]	16	13	875 [413.0]	7940651
RA1624AJ1	R802VA075317ZXA	RCF2421HTAM	24000 [7.0]	17500 [5.1]	6500 [1.9]	16	13	800 [377.6]	8079954
RA1624AJ1	R802VA075421MSA	RCF2421HTAM	24000 [7.0]	17500 [5.1]	6500 [1.9]	16	13	850 [401.2]	8079955
RA1624AJ1	R802VA075421MXA	RCF2421HTAM	24000 [7.0]	17500 [5.1]	6500 [1.9]	16	13	850 [401.2]	8108013
RA1624AJ1	R802VA075421ZSA	RCF2421HTAM	24000 [7.0]	17500 [5.1]	6500 [1.9]	16	13	875 [413.0]	7940652
RA1624AJ1	R802VA075421ZXA	RCF2421HTAM	24000 [7.0]	17500 [5.1]	6500 [1.9]	15.5	13	875 [413.0]	8079956
RA1624AJ1	R802VA100521MSA	RCF2421HTAM	24000 [7.0]	17500 [5.1]	6500 [1.9]	16	13	850 [401.2]	7940653
RA1624AJ1	R802VA100521MXA	RCF2421HTAM	24000 [7.0]	17500 [5.1]	6500 [1.9]	16	13	850 [401.2]	8079957
RA1630AJ1	R802VA050317MSA	RCF3617STAM	28200 [8.3]	20900 [6.1]	7300 [2.1]	16	13	875 [413.0]	7940907
		RCF3621HTAM	30000 [8.8]	22800 [6.7]	7200 [2.1]	16	13	975 [460.1]	8080008
		RCF3621MTAM	29800 [8.7]	20900 [6.1]	8900 [2.6]	16	13	975 [460.1]	7940936
		RCF3621STAM	28200 [8.3]	20900 [6.1]	7300 [2.1]	16	13	875 [413.0]	7940980
RA1630AJ1	R802VA050317MXA	RCF3617STAM	28200 [8.3]	20900 [6.1]	7300 [2.1]	16	13	875 [413.0]	8080002
		RCF3621MTAM	29800 [8.7]	21000 [6.2]	8800 [2.6]	15.5	13	975 [460.1]	8080035
		RCF3621STAM	28200 [8.3]	20900 [6.1]	7300 [2.1]	16	13	875 [413.0]	8080048
RA1630AJ1	R802VA075317MSA	RCF3617STAM	29000 [8.5]	22200 [6.5]	6800 [2.0]	16	13	1025 [483.7]	7940908
		RCF3621HTAM	30000 [8.8]	22800 [6.7]	7200 [2.1]	16	13	1075 [507.3]	8080009
		RCF3621MTAM	30000 [8.8]	22800 [6.7]	7200 [2.1]	16	13	1075 [507.3]	7940937
		RCF3621STAM	29000 [8.5]	22200 [6.5]	6800 [2.0]	16	13	1025 [483.7]	7940981
RA1630AJ1	R802VA075317MXA	RCF3617STAM	29000 [8.5]	22200 [6.5]	6800 [2.0]	16	13	1025 [483.7]	8080003
		RCF3621MTAM	30000 [8.8]	22800 [6.7]	7200 [2.1]	16	13	1075 [507.3]	8080036
		RCF3621STAM	29000 [8.5]	22200 [6.5]	6800 [2.0]	16	13	1025 [483.7]	8080049

[] Designates Metric Conversions



Performance Data @ AHRI Standard Conditions – Cooling (con't.)

R802V: Prestige 2-Stage 80% ECM Furnace Ratings									
Outdoor Unit	Furnace	Indoor Coil	Total Capacity BTU/H [kW]	Net Sensible BTU/H [kW]	Net Latent BTU/H [kW]	SEER	EER	Indoor CFM [L/s]	AHRI#
RA1630AJ1	R802VA075317ZSA	RCF3617STAM	28800 [8.4]	21900 [6.4]	6900 [2.0]	16	13	1000 [471.9]	7940909
		RCF3621MTAM	30000 [8.8]	21300 [6.2]	8700 [2.5]	16	13	1050 [495.5]	7940938
		RCF3621STAM	28800 [8.4]	21900 [6.4]	6900 [2.0]	16	13	1000 [471.9]	7940982
RA1630AJ1	R802VA075317ZXA	RCF3617STAM	28800 [8.4]	21900 [6.4]	6900 [2.0]	16	13	1000 [471.9]	8080004
		RCF3621MTAM	30000 [8.8]	22800 [6.7]	7200 [2.1]	16	13	1000 [471.9]	8080037
		RCF3621STAM	28800 [8.4]	21900 [6.4]	6900 [2.0]	16	13	1000 [471.9]	8080050
RA1630AJ1	R802VA075421MSA	RCF3621HTAM	30000 [8.8]	22800 [6.7]	7200 [2.1]	16	13	1075 [507.3]	8080010
		RCF3621MTAM	30000 [8.8]	22800 [6.7]	7200 [2.1]	16	13	1075 [507.3]	8080038
		RCF3621STAM	29000 [8.5]	22200 [6.5]	6800 [2.0]	16	13	1025 [483.7]	8080051
		RCF3624HTAM	30000 [8.8]	22800 [6.7]	7200 [2.1]	16	13	1075 [507.3]	8080059
		RCF3624MTAM	30000 [8.8]	22800 [6.7]	7200 [2.1]	16	13	1075 [507.3]	8080070
RA1630AJ1	R802VA075421MXA	RCF3621HTAM	30000 [8.8]	22800 [6.7]	7200 [2.1]	16	13	1075 [507.3]	8108017
		RCF3621MTAM	30000 [8.8]	22800 [6.7]	7200 [2.1]	16	13	1075 [507.3]	8108018
		RCF3621STAM	29000 [8.5]	22200 [6.5]	6800 [2.0]	16	13	1025 [483.7]	8108019
		RCF3624HTAM	30000 [8.8]	22800 [6.7]	7200 [2.1]	16	13	1075 [507.3]	8108020
		RCF3624MTAM	30000 [8.8]	22800 [6.7]	7200 [2.1]	16	13	1075 [507.3]	8108022
RA1630AJ1	R802VA075421ZSA	RCF3621MTAM	30000 [8.8]	22800 [6.7]	7200 [2.1]	16	13	1075 [507.3]	7940939
		RCF3621STAM	29000 [8.5]	22200 [6.5]	6800 [2.0]	16	13	1025 [483.7]	7940983
		RCF3624HTAM	30000 [8.8]	22800 [6.7]	7200 [2.1]	16	13	1075 [507.3]	7941022
		RCF3624MTAM	30000 [8.8]	22800 [6.7]	7200 [2.1]	16	13	1075 [507.3]	7941054
RA1630AJ1	R802VA075421ZXA	RCF3621MTAM	30000 [8.8]	22800 [6.7]	7200 [2.1]	16	13	1025 [483.7]	8080039
		RCF3621STAM	29000 [8.5]	22200 [6.5]	6800 [2.0]	16	13	1025 [483.7]	8080052
		RCF3624HTAM	30000 [8.8]	22800 [6.7]	7200 [2.1]	16	13	1075 [507.3]	8080060
		RCF3624MTAM	30000 [8.8]	22800 [6.7]	7200 [2.1]	16	13	1025 [483.7]	8080071
RA1630AJ1	R802VA100521MSA	RCF3621HTAM	30000 [8.8]	22800 [6.7]	7200 [2.1]	16	13	1025 [483.7]	8080011
		RCF3621MTAM	30000 [8.8]	22800 [6.7]	7200 [2.1]	16	13	1025 [483.7]	7940940
		RCF3621STAM	29000 [8.5]	22200 [6.5]	6800 [2.0]	16	13	1025 [483.7]	7940984
		RCF3624HTAM	30000 [8.8]	22800 [6.7]	7200 [2.1]	16	13	1025 [483.7]	7941023
		RCF3624MTAM	30000 [8.8]	22800 [6.7]	7200 [2.1]	16	13	1025 [483.7]	7941055
RA1630AJ1	R802VA100521MXA	RCF3621MTAM	30000 [8.8]	22800 [6.7]	7200 [2.1]	16	13	1025 [483.7]	8080040
		RCF3621STAM	29000 [8.5]	22200 [6.5]	6800 [2.0]	16	13	1025 [483.7]	8080053
		RCF3624HTAM	30000 [8.8]	22800 [6.7]	7200 [2.1]	16	13	1025 [483.7]	8080061
		RCF3624MTAM	30000 [8.8]	22800 [6.7]	7200 [2.1]	16	13	1025 [483.7]	8080072
RA1630AJ1	R802VA100521ZSA	RCF3621MTAM	30000 [8.8]	22800 [6.7]	7200 [2.1]	16	13	1050 [495.5]	7940941
		RCF3621STAM	28800 [8.4]	21800 [6.4]	7000 [2.1]	16	13	975 [460.1]	7940985
		RCF3624HTAM	30000 [8.8]	22800 [6.7]	7200 [2.1]	16	13	1050 [495.5]	7941024
		RCF3624MTAM	30000 [8.8]	22800 [6.7]	7200 [2.1]	16	13	1050 [495.5]	7941056
RA1630AJ1	R802VA100521ZXA	RCF3621MTAM	30000 [8.8]	22800 [6.7]	7200 [2.1]	16	13	1050 [495.5]	8080041
		RCF3621STAM	28800 [8.4]	21800 [6.4]	7000 [2.1]	16	13	975 [460.1]	8080054
		RCF3624HTAM	30000 [8.8]	22800 [6.7]	7200 [2.1]	16	13	1050 [495.5]	8080062
		RCF3624MTAM	30000 [8.8]	22800 [6.7]	7200 [2.1]	16	13	1050 [495.5]	8080073
RA1630AJ1	R802VA125524MSA	RCF3624HTAM	30000 [8.8]	22800 [6.7]	7200 [2.1]	16	13	1050 [495.5]	7941025
		RCF3624MTAM	30000 [8.8]	22800 [6.7]	7200 [2.1]	16	13	1050 [495.5]	7941057
RA1630AJ1	R802VA125524MXA	RCF3624HTAM	30000 [8.8]	22800 [6.7]	7200 [2.1]	16	13	1050 [495.5]	8080063
		RCF3624MTAM	30000 [8.8]	22800 [6.7]	7200 [2.1]	16	13	1050 [495.5]	8080074
RA1630AJ1	R802VA125524ZSA	RCF3624HTAM	30000 [8.8]	22800 [6.7]	7200 [2.1]	16	13	1075 [507.3]	7941026
		RCF3624MTAM	30000 [8.8]	22800 [6.7]	7200 [2.1]	16	13	1075 [507.3]	7941058
RA1630AJ1	R802VA125524ZXA	RCF3624HTAM	30000 [8.8]	22800 [6.7]	7200 [2.1]	16	13	1075 [507.3]	8080064
		RCF3624MTAM	30000 [8.8]	22800 [6.7]	7200 [2.1]	16	13	1075 [507.3]	8080075

[] Designates Metric Conversions

Performance Data @ AHRI Standard Conditions – Cooling (con't.)

R802V: Prestige 2-Stage 80% ECM Furnace Ratings									
Outdoor Unit	Furnace	Indoor Coil	Total Capacity BTU/H [kW]	Net Sensible BTU/H [kW]	Net Latent BTU/H [kW]	SEER	EER	Indoor CFM [L/s]	AHRI#
RA1636BC1	R802VA050317MSA	RCF3617STAM	35800 [10.5]	25500 [7.5]	10300 [3.0]	14.5	12.2	1100 [519.1]	8177897
		RCF3621HTAM	36000 [10.6]	25600 [7.5]	10400 [3.0]	16	13	1100 [519.1]	8177924
		RCF3621MTAM	36000 [10.6]	25600 [7.5]	10400 [3.0]	15.1	12.5	1100 [519.1]	8177951
		RCF3621STAM	35800 [10.5]	25500 [7.5]	10300 [3.0]	14.5	12.2	1100 [519.1]	8177999
RA1636BC1	R802VA075317MSA	RCF3617STAM	36000 [10.6]	25600 [7.5]	10400 [3.0]	15.1	12.5	1150 [542.7]	8177898
		RCF3621HTAM	36000 [10.6]	25600 [7.5]	10400 [3.0]	16	13	1150 [542.7]	8177925
		RCF3621MTAM	36000 [10.6]	25600 [7.5]	10400 [3.0]	15.5	13	1150 [542.7]	8177952
		RCF3621STAM	35600 [10.4]	24800 [7.3]	10800 [3.2]	15.5	13	975 [460.1]	8178000
RA1636BC1	R802VA075317ZSA	RCF3617STAM	35800 [10.5]	25300 [7.4]	10500 [3.1]	15.1	12.5	1050 [495.5]	8177899
		RCF3621MTAM	36000 [10.6]	25000 [7.3]	11000 [3.2]	15.5	13	1050 [495.5]	8177953
		RCF3621STAM	35800 [10.5]	25300 [7.4]	10500 [3.1]	15.1	12.5	1050 [495.5]	8178001
RA1636BC1	R802VA075421MSA	RCF3621HTAM	36000 [10.6]	25600 [7.5]	10400 [3.0]	16	13	1250 [589.9]	8177926
		RCF3621MTAM	36000 [10.6]	25600 [7.5]	10400 [3.0]	16	13	1125 [530.9]	8177954
		RCF3621STAM	36000 [10.6]	25600 [7.5]	10400 [3.0]	15.5	13	1200 [566.3]	8178002
		RCF3624HTAM	36000 [10.6]	25600 [7.5]	10400 [3.0]	16	13	1250 [589.9]	8178047
		RCF3624MTAM	36000 [10.6]	25600 [7.5]	10400 [3.0]	16	13	1125 [530.9]	8178083
RA1636BC1	R802VA075421ZSA	RCF3621MTAM	36000 [10.6]	25600 [7.5]	10400 [3.0]	15.5	13	1200 [566.3]	8177955
		RCF3621STAM	36000 [10.6]	25600 [7.5]	10400 [3.0]	15.1	12.5	1200 [566.3]	8178003
		RCF3624HTAM	36000 [10.6]	25600 [7.5]	10400 [3.0]	16	13	1250 [589.9]	8178048
		RCF3624MTAM	36000 [10.6]	25600 [7.5]	10400 [3.0]	15.5	13	1200 [566.3]	8178084
RA1636BC1	R802VA100521MSA	RCF3621HTAM	36000 [10.6]	25600 [7.5]	10400 [3.0]	16	13	1250 [589.9]	8177927
		RCF3621MTAM	36000 [10.6]	25600 [7.5]	10400 [3.0]	16	13	1250 [589.9]	8177956
		RCF3621STAM	36000 [10.6]	25600 [7.5]	10400 [3.0]	15.5	13	1250 [589.9]	8178004
		RCF3624HTAM	36000 [10.6]	25600 [7.5]	10400 [3.0]	16	13	1250 [589.9]	8178049
		RCF3624MTAM	36000 [10.6]	25600 [7.5]	10400 [3.0]	16	13	1250 [589.9]	8178086
RA1636BC1	R802VA100521ZSA	RCF3621MTAM	36000 [10.6]	25600 [7.5]	10400 [3.0]	15.5	13	1250 [589.9]	8177957
		RCF3621STAM	36000 [10.6]	25500 [7.5]	10500 [3.1]	15.5	13	1050 [495.5]	8178005
		RCF3624HTAM	36000 [10.6]	25600 [7.5]	10400 [3.0]	16	13	1250 [589.9]	8178050
		RCF3624MTAM	36000 [10.6]	25600 [7.5]	10400 [3.0]	15.5	13	1250 [589.9]	8178087
RA1636BC1	R802VA125524MSA	RCF3624HTAM	36000 [10.6]	25600 [7.5]	10400 [3.0]	16	13	1250 [589.9]	8178051
		RCF3624MTAM	36000 [10.6]	25600 [7.5]	10400 [3.0]	16	13	1250 [589.9]	8178088
RA1636BC1	R802VA125524ZSA	RCF3624HTAM	36000 [10.6]	25600 [7.5]	10400 [3.0]	16	13	1250 [589.9]	8178052
		RCF3624MTAM	36000 [10.6]	25600 [7.5]	10400 [3.0]	15.5	13	1250 [589.9]	8178089
RA1636BJ1	R802VA050317MSA	RCF3617STAM	35800 [10.5]	25500 [7.5]	10300 [3.0]	14.5	12.2	1100 [519.1]	8178428
		RCF3621HTAM	36000 [10.6]	25600 [7.5]	10400 [3.0]	16	13	1100 [519.1]	8178455
		RCF3621MTAM	36000 [10.6]	25600 [7.5]	10400 [3.0]	15.1	12.5	1100 [519.1]	8178482
		RCF3621STAM	35800 [10.5]	25500 [7.5]	10300 [3.0]	14.5	12.2	1100 [519.1]	8178528
RA1636BJ1	R802VA075317MSA	RCF3617STAM	36000 [10.6]	25600 [7.5]	10400 [3.0]	15.1	12.5	1150 [542.7]	8178429
		RCF3621HTAM	36000 [10.6]	25600 [7.5]	10400 [3.0]	16	13	1150 [542.7]	8178456
		RCF3621MTAM	36000 [10.6]	25600 [7.5]	10400 [3.0]	15.5	13	1150 [542.7]	8178483
		RCF3621STAM	35600 [10.4]	24800 [7.3]	10800 [3.2]	15.5	13	975 [460.1]	8178529
RA1636BJ1	R802VA075317ZSA	RCF3617STAM	35800 [10.5]	25300 [7.4]	10500 [3.1]	15.1	12.5	1050 [495.5]	8178430
		RCF3621MTAM	36000 [10.6]	25000 [7.3]	11000 [3.2]	15.5	13	1050 [495.5]	8178484
		RCF3621STAM	35800 [10.5]	25300 [7.4]	10500 [3.1]	15.1	12.5	1050 [495.5]	8178530
RA1636BJ1	R802VA075421MSA	RCF3621HTAM	36000 [10.6]	25600 [7.5]	10400 [3.0]	16	13	1250 [589.9]	8178457
		RCF3621MTAM	36000 [10.6]	25600 [7.5]	10400 [3.0]	16	13	1125 [530.9]	8178485
		RCF3621STAM	36000 [10.6]	25600 [7.5]	10400 [3.0]	15.5	13	1200 [566.3]	8178531
		RCF3624HTAM	36000 [10.6]	25600 [7.5]	10400 [3.0]	16	13	1250 [589.9]	8178574
		RCF3624MTAM	36000 [10.6]	25600 [7.5]	10400 [3.0]	16	13	1125 [530.9]	8178609

[] Designates Metric Conversions



Performance Data @ AHRI Standard Conditions – Cooling (con't.)

R802V: Prestige 2-Stage 80% ECM Furnace Ratings									
Outdoor Unit	Furnace	Indoor Coil	Total Capacity BTU/H [kW]	Net Sensible BTU/H [kW]	Net Latent BTU/H [kW]	SEER	EER	Indoor CFM [L/s]	AHRI#
RA1636BJ1	R802VA075421ZSA	RCF3621MTAM	36000 [10.6]	25600 [7.5]	10400 [3.0]	15.5	13	1200 [566.3]	8178486
		RCF3621STAM	36000 [10.6]	25600 [7.5]	10400 [3.0]	15.1	12.5	1200 [566.3]	8178532
		RCF3624HTAM	36000 [10.6]	25600 [7.5]	10400 [3.0]	16	13	1250 [589.9]	8178575
		RCF3624MTAM	36000 [10.6]	25600 [7.5]	10400 [3.0]	15.5	13	1200 [566.3]	8178610
RA1636BJ1	R802VA100521MSA	RCF3621HTAM	36000 [10.6]	25600 [7.5]	10400 [3.0]	16	13	1250 [589.9]	8178458
		RCF3621MTAM	36000 [10.6]	25600 [7.5]	10400 [3.0]	16	13	1250 [589.9]	8178487
		RCF3621STAM	36000 [10.6]	25600 [7.5]	10400 [3.0]	15.5	13	1250 [589.9]	8178533
		RCF3624HTAM	36000 [10.6]	25600 [7.5]	10400 [3.0]	16	13	1250 [589.9]	8178576
		RCF3624MTAM	36000 [10.6]	25600 [7.5]	10400 [3.0]	16	13	1250 [589.9]	8178611
RA1636BJ1	R802VA100521ZSA	RCF3621MTAM	36000 [10.6]	25600 [7.5]	10400 [3.0]	15.5	13	1250 [589.9]	8178488
		RCF3621STAM	36000 [10.6]	25500 [7.5]	10500 [3.1]	15.5	13	1050 [495.5]	8178534
		RCF3624HTAM	36000 [10.6]	25600 [7.5]	10400 [3.0]	16	13	1250 [589.9]	8178577
		RCF3624MTAM	36000 [10.6]	25600 [7.5]	10400 [3.0]	15.5	13	1250 [589.9]	8178612
RA1636BJ1	R802VA125524MSA	RCF3624HTAM	36000 [10.6]	25600 [7.5]	10400 [3.0]	16	13	1250 [589.9]	8178578
		RCF3624MTAM	36000 [10.6]	25600 [7.5]	10400 [3.0]	16	13	1250 [589.9]	8178613
RA1636BJ1	R802VA125524ZSA	RCF3624HTAM	36000 [10.6]	25600 [7.5]	10400 [3.0]	16	13	1250 [589.9]	8178579
		RCF3624MTAM	36000 [10.6]	25600 [7.5]	10400 [3.0]	15.5	13	1250 [589.9]	8178614
RA1642AC1	R802VA050317MSA	RCF4821MTAM	40500 [11.9]	26400 [7.7]	14100 [4.1]	15.5	13	1100 [519.1]	8080517
		RCF4821STAM	40000 [11.7]	27500 [8.1]	12500 [3.7]	15.1	12.5	1100 [519.1]	7942229
RA1642AC1	R802VA050317MXA	RCF4821STAM	40000 [11.7]	27500 [8.1]	12500 [3.7]	15.1	12.5	1100 [519.1]	8080546
RA1642AC1	R802VA075317MSA	RCF4821MTAM	41000 [12.0]	27100 [7.9]	13900 [4.1]	16	13	1150 [542.7]	8080518
		RCF4821STAM	40000 [11.7]	27400 [8.0]	12600 [3.7]	16	13	1075 [507.3]	7942230
RA1642AC1	R802VA075317MXA	RCF4821STAM	40000 [11.7]	27400 [8.0]	12600 [3.7]	16	13	1075 [507.3]	8080547
RA1642AC1	R802VA075317ZSA	RCF4821STAM	40000 [11.7]	27500 [8.1]	12500 [3.7]	15.5	13	1100 [519.1]	7942231
RA1642AC1	R802VA075317ZXA	RCF4821STAM	40000 [11.7]	27500 [8.1]	12500 [3.7]	15.5	13	1100 [519.1]	8080548
RA1642AC1	R802VA075421MSA	RCF4821MTAM	42000 [12.3]	31100 [9.1]	10900 [3.2]	16	13	1425 [672.5]	8080519
		RCF4821STAM	41000 [12.0]	29300 [8.6]	11700 [3.4]	16	13	1250 [589.9]	8080549
		RCF4824HTAM	42000 [12.3]	31100 [9.1]	10900 [3.2]	16	13	1475 [696.1]	8080559
		RCF4824STAM	41000 [12.0]	29300 [8.6]	11700 [3.4]	16	13	1250 [589.9]	8080571
RA1642AC1	R802VA075421MXA	RCF4821MTAM	42000 [12.3]	31100 [9.1]	10900 [3.2]	16	13	1425 [672.5]	8108053
		RCF4821STAM	41000 [12.0]	29300 [8.6]	11700 [3.4]	16	13	1250 [589.9]	8108054
		RCF4824HTAM	42000 [12.3]	31100 [9.1]	10900 [3.2]	16	13	1475 [696.1]	8108056
		RCF4824STAM	41000 [12.0]	29300 [8.6]	11700 [3.4]	16	13	1250 [589.9]	8108057
RA1642AC1	R802VA075421ZSA	RCF4821STAM	41000 [12.0]	29600 [8.7]	11400 [3.3]	15.5	13	1300 [613.5]	7942232
		RCF4824HTAM	42000 [12.3]	31100 [9.1]	10900 [3.2]	16	13	1400 [660.7]	7942275
		RCF4824STAM	41000 [12.0]	29600 [8.7]	11400 [3.3]	15.5	13	1300 [613.5]	7942311
RA1642AC1	R802VA075421ZXA	RCF4821STAM	41000 [12.0]	29600 [8.7]	11400 [3.3]	15.5	13	1300 [613.5]	8080550
		RCF4824HTAM	42000 [12.3]	31100 [9.1]	10900 [3.2]	16	13	1400 [660.7]	8080560
		RCF4824STAM	41000 [12.0]	29600 [8.7]	11400 [3.3]	15.5	13	1300 [613.5]	8080572
RA1642AC1	R802VA100521MSA	RCF4821MTAM	42000 [12.3]	31100 [9.1]	10900 [3.2]	16	13	1400 [660.7]	8080520
		RCF4821STAM	41500 [12.2]	30700 [9.0]	10800 [3.2]	16	13	1400 [660.7]	7942233
		RCF4824HTAM	42000 [12.3]	31100 [9.1]	10900 [3.2]	16	13	1400 [660.7]	7942276
		RCF4824STAM	41500 [12.2]	30700 [9.0]	10800 [3.2]	16	13	1400 [660.7]	7942312
RA1642AC1	R802VA100521MXA	RCF4821STAM	41500 [12.2]	30700 [9.0]	10800 [3.2]	16	13	1400 [660.7]	8080551
		RCF4824HTAM	42000 [12.3]	31100 [9.1]	10900 [3.2]	16	13	1400 [660.7]	8080561
		RCF4824STAM	41500 [12.2]	30700 [9.0]	10800 [3.2]	16	13	1400 [660.7]	8080573
RA1642AC1	R802VA100521ZSA	RCF4821STAM	40500 [11.9]	28300 [8.3]	12200 [3.6]	16	13	1150 [542.7]	7942234
		RCF4824HTAM	42000 [12.3]	31100 [9.1]	10900 [3.2]	16	13	1450 [684.3]	7942277
		RCF4824STAM	40500 [11.9]	28300 [8.3]	12200 [3.6]	16	13	1150 [542.7]	7942313

[] Designates Metric Conversions

Performance Data @ AHRI Standard Conditions – Cooling (con't.)

R802V: Prestige 2-Stage 80% ECM Furnace Ratings									
Outdoor Unit	Furnace	Indoor Coil	Total Capacity BTU/H [kW]	Net Sensible BTU/H [kW]	Net Latent BTU/H [kW]	SEER	EER	Indoor CFM [L/s]	AHRI#
RA1642AC1	R802VA100521ZXA	RCF4821STAM	40500 [11.9]	28300 [8.3]	12200 [3.6]	16	13	1150 [542.7]	8080552
		RCF4824HTAM	42000 [12.3]	31100 [9.1]	10900 [3.2]	16	13	1450 [684.3]	8080562
		RCF4824STAM	40500 [11.9]	28300 [8.3]	12200 [3.6]	16	13	1150 [542.7]	8080574
RA1642AC1	R802VA125524MSA	RCF4824HTAM	42000 [12.3]	31100 [9.1]	10900 [3.2]	16	13	1475 [696.1]	7942278
		RCF4824STAM	42000 [12.3]	31600 [9.3]	10400 [3.0]	16	13	1475 [696.1]	7942314
RA1642AC1	R802VA125524MXA	RCF4824HTAM	42000 [12.3]	31100 [9.1]	10900 [3.2]	16	13	1475 [696.1]	8080563
		RCF4824STAM	42000 [12.3]	31600 [9.3]	10400 [3.0]	16	13	1475 [696.1]	8080575
RA1642AC1	R802VA125524ZSA	RCF4824HTAM	42000 [12.3]	31100 [9.1]	10900 [3.2]	16	13	1450 [684.3]	7942279
		RCF4824STAM	41000 [12.0]	29300 [8.6]	11700 [3.4]	16	13	1250 [589.9]	7942315
RA1642AC1	R802VA125524ZXA	RCF4824HTAM	42000 [12.3]	31100 [9.1]	10900 [3.2]	16	13	1450 [684.3]	8080564
		RCF4824STAM	41000 [12.0]	29300 [8.6]	11700 [3.4]	16	13	1250 [589.9]	8080576
RA1642AJ1	R802VA050317MSA	RCF4821MTAM	40500 [11.9]	26400 [7.7]	14100 [4.1]	15.5	13	1100 [519.1]	8080632
		RCF4821STAM	40000 [11.7]	27500 [8.1]	12500 [3.7]	15.1	12.5	1100 [519.1]	7942565
RA1642AJ1	R802VA050317MXA	RCF4821STAM	40000 [11.7]	27500 [8.1]	12500 [3.7]	15.1	12.5	1100 [519.1]	8080661
RA1642AJ1	R802VA075317MSA	RCF4821MTAM	41000 [12.0]	27100 [7.9]	13900 [4.1]	16	13	1150 [542.7]	8080633
		RCF4821STAM	40000 [11.7]	27400 [8.0]	12600 [3.7]	16	13	1075 [507.3]	7942566
RA1642AJ1	R802VA075317MXA	RCF4821STAM	40000 [11.7]	27400 [8.0]	12600 [3.7]	16	13	1075 [507.3]	8080662
RA1642AJ1	R802VA075317ZSA	RCF4821STAM	40000 [11.7]	27500 [8.1]	12500 [3.7]	15.5	13	1100 [519.1]	7942567
RA1642AJ1	R802VA075317ZXA	RCF4821STAM	40000 [11.7]	27500 [8.1]	12500 [3.7]	15.5	13	1100 [519.1]	8080663
RA1642AJ1	R802VA075421MSA	RCF4821MTAM	42000 [12.3]	31100 [9.1]	10900 [3.2]	16	13	1425 [672.5]	8080634
		RCF4821STAM	41000 [12.0]	29300 [8.6]	11700 [3.4]	16	13	1250 [589.9]	8080664
		RCF4824HTAM	42000 [12.3]	31100 [9.1]	10900 [3.2]	16	13	1475 [696.1]	8080674
		RCF4824STAM	41000 [12.0]	29300 [8.6]	11700 [3.4]	16	13	1250 [589.9]	8080686
RA1642AJ1	R802VA075421MXA	RCF4821MTAM	42000 [12.3]	31100 [9.1]	10900 [3.2]	16	13	1425 [672.5]	8108063
		RCF4821STAM	41000 [12.0]	29300 [8.6]	11700 [3.4]	16	13	1250 [589.9]	8108064
		RCF4824HTAM	42000 [12.3]	31100 [9.1]	10900 [3.2]	16	13	1475 [696.1]	8108065
		RCF4824STAM	41000 [12.0]	29300 [8.6]	11700 [3.4]	16	13	1250 [589.9]	8108066
RA1642AJ1	R802VA075421ZSA	RCF4821STAM	41000 [12.0]	29600 [8.7]	11400 [3.3]	15.5	13	1300 [613.5]	7942568
		RCF4824HTAM	42000 [12.3]	31100 [9.1]	10900 [3.2]	16	13	1400 [660.7]	7942611
		RCF4824STAM	41000 [12.0]	29600 [8.7]	11400 [3.3]	15.5	13	1300 [613.5]	7942647
RA1642AJ1	R802VA075421ZXA	RCF4821STAM	41000 [12.0]	29600 [8.7]	11400 [3.3]	15.5	13	1300 [613.5]	8080665
		RCF4824HTAM	42000 [12.3]	31100 [9.1]	10900 [3.2]	16	13	1400 [660.7]	8080675
		RCF4824STAM	41000 [12.0]	29600 [8.7]	11400 [3.3]	15.5	13	1300 [613.5]	8080687
RA1642AJ1	R802VA100521MSA	RCF4821MTAM	42000 [12.3]	31100 [9.1]	10900 [3.2]	16	13	1400 [660.7]	8080635
		RCF4821STAM	41500 [12.2]	30700 [9.0]	10800 [3.2]	16	13	1400 [660.7]	7942569
		RCF4824HTAM	42000 [12.3]	31100 [9.1]	10900 [3.2]	16	13	1400 [660.7]	7942612
		RCF4824STAM	41500 [12.2]	30700 [9.0]	10800 [3.2]	16	13	1400 [660.7]	7942648
RA1642AJ1	R802VA100521MXA	RCF4821STAM	41500 [12.2]	30700 [9.0]	10800 [3.2]	16	13	1400 [660.7]	8080666
		RCF4824HTAM	42000 [12.3]	31100 [9.1]	10900 [3.2]	16	13	1400 [660.7]	8080676
		RCF4824STAM	41500 [12.2]	30700 [9.0]	10800 [3.2]	16	13	1400 [660.7]	8080688
RA1642AJ1	R802VA100521ZSA	RCF4821STAM	40500 [11.9]	28300 [8.3]	12200 [3.6]	16	13	1150 [542.7]	7942570
		RCF4824HTAM	42000 [12.3]	31100 [9.1]	10900 [3.2]	16	13	1450 [684.3]	7942613
		RCF4824STAM	40500 [11.9]	28300 [8.3]	12200 [3.6]	16	13	1150 [542.7]	7942649
RA1642AJ1	R802VA100521ZXA	RCF4821STAM	40500 [11.9]	28300 [8.3]	12200 [3.6]	16	13	1150 [542.7]	8080667
		RCF4824HTAM	42000 [12.3]	31100 [9.1]	10900 [3.2]	16	13	1450 [684.3]	8080677
		RCF4824STAM	40500 [11.9]	28300 [8.3]	12200 [3.6]	16	13	1150 [542.7]	8080689
RA1642AJ1	R802VA125524MSA	RCF4824HTAM	42000 [12.3]	31100 [9.1]	10900 [3.2]	16	13	1475 [696.1]	7942614
		RCF4824STAM	42000 [12.3]	31600 [9.3]	10400 [3.0]	16	13	1475 [696.1]	7942650

[] Designates Metric Conversions

Performance Data @ AHRI Standard Conditions – Cooling (con't.)

R802V: Prestige 2-Stage 80% ECM Furnace Ratings									
Outdoor Unit	Furnace	Indoor Coil	Total Capacity BTU/H [kW]	Net Sensible BTU/H [kW]	Net Latent BTU/H [kW]	SEER	EER	Indoor CFM [L/s]	AHRI#
RA1642AJ1	R802VA125524MXA	RCF4824HTAM	42000 [12.3]	31100 [9.1]	10900 [3.2]	16	13	1475 [696.1]	8080678
		RCF4824STAM	42000 [12.3]	31600 [9.3]	10400 [3.0]	16	13	1475 [696.1]	8080690
RA1642AJ1	R802VA125524ZSA	RCF4824HTAM	42000 [12.3]	31100 [9.1]	10900 [3.2]	16	13	1450 [684.3]	7942615
		RCF4824STAM	41000 [12.0]	29300 [8.6]	11700 [3.4]	16	13	1250 [589.9]	7942651
RA1642AJ1	R802VA125524ZXA	RCF4824HTAM	42000 [12.3]	31100 [9.1]	10900 [3.2]	16	13	1450 [684.3]	8080679
		RCF4824STAM	41000 [12.0]	29300 [8.6]	11700 [3.4]	16	13	1250 [589.9]	8080691
RA1648AC1	R802VA050317MSA	RCF4821MTAM	44000 [12.9]	31100 [9.1]	12900 [3.8]	15.1	12.5	1175 [554.5]	8080747
		RCF4821STAM	43000 [12.6]	28700 [8.4]	14300 [4.2]	15.1	12.5	1175 [554.5]	7942900
RA1648AC1	R802VA050317MXA	RCF4821STAM	43000 [12.6]	28700 [8.4]	14300 [4.2]	15.1	12.5	1175 [554.5]	8080770
RA1648AC1	R802VA075317ZSA	RCF4821STAM	43500 [12.7]	29300 [8.6]	14200 [4.2]	15.5	13	1200 [566.3]	7942901
RA1648AC1	R802VA075317ZXA	RCF4821STAM	43500 [12.7]	29300 [8.6]	14200 [4.2]	15.5	13	1200 [566.3]	8080771
RA1648AC1	R802VA075421MSA	RCF4821MTAM	45500 [13.3]	34500 [10.1]	11000 [3.2]	16	13	1475 [696.1]	8080748
		RCF4821STAM	44500 [13.0]	31200 [9.1]	13300 [3.9]	16	13	1350 [637.1]	8080772
		RCF4824HTAM	47000 [13.8]	34900 [10.2]	12100 [3.5]	16	13	1600 [755.1]	8080782
		RCF4824STAM	44500 [13.0]	31200 [9.1]	13300 [3.9]	16	13	1350 [637.1]	8080794
RA1648AC1	R802VA075421MXA	RCF4821MTAM	45500 [13.3]	34500 [10.1]	11000 [3.2]	16	13	1475 [696.1]	8108073
		RCF4821STAM	44500 [13.0]	31200 [9.1]	13300 [3.9]	16	13	1350 [637.1]	8108074
		RCF4824HTAM	47000 [13.8]	34900 [10.2]	12100 [3.5]	16	13	1600 [755.1]	8108075
		RCF4824STAM	44500 [13.0]	31200 [9.1]	13300 [3.9]	16	13	1350 [637.1]	8108076
RA1648AC1	R802VA075421ZSA	RCF4821STAM	44000 [12.9]	30400 [8.9]	13600 [4.0]	15.5	13	1300 [613.5]	7942902
		RCF4824HTAM	46000 [13.5]	33000 [9.7]	13000 [3.8]	16	13	1450 [684.3]	7942938
		RCF4824STAM	44000 [12.9]	30400 [8.9]	13600 [4.0]	15.5	13	1300 [613.5]	7942973
RA1648AC1	R802VA075421ZXA	RCF4821STAM	44000 [12.9]	30400 [8.9]	13600 [4.0]	15.5	13	1300 [613.5]	8080773
		RCF4824HTAM	46000 [13.5]	33000 [9.7]	13000 [3.8]	16	13	1450 [684.3]	8080783
		RCF4824STAM	44000 [12.9]	30400 [8.9]	13600 [4.0]	15.5	13	1300 [613.5]	8080795
RA1648AC1	R802VA100521MSA	RCF4821MTAM	46500 [13.6]	36100 [10.6]	10400 [3.0]	16	13	1575 [743.3]	8080749
		RCF4821STAM	45000 [13.2]	32000 [9.4]	13000 [3.8]	16	13	1400 [660.7]	7942903
		RCF4824HTAM	47000 [13.8]	34700 [10.2]	12300 [3.6]	16	13	1575 [743.3]	7942939
		RCF4824STAM	45000 [13.2]	32000 [9.4]	13000 [3.8]	16	13	1400 [660.7]	7942974
RA1648AC1	R802VA100521MXA	RCF4821STAM	45000 [13.2]	32000 [9.4]	13000 [3.8]	16	13	1400 [660.7]	8080774
		RCF4824HTAM	47000 [13.8]	34700 [10.2]	12300 [3.6]	16	13	1575 [743.3]	8080784
		RCF4824STAM	45000 [13.2]	32000 [9.4]	13000 [3.8]	16	13	1400 [660.7]	8080796
RA1648AC1	R802VA100521ZSA	RCF4821STAM	44000 [12.9]	30100 [8.8]	13900 [4.1]	16	13	1250 [589.9]	7942904
		RCF4824HTAM	46500 [13.6]	34400 [10.1]	12100 [3.5]	16	13	1600 [755.1]	7942940
		RCF4824STAM	44000 [12.9]	30100 [8.8]	13900 [4.1]	16	13	1250 [589.9]	7942975
RA1648AC1	R802VA100521ZXA	RCF4821STAM	44000 [12.9]	30100 [8.8]	13900 [4.1]	16	13	1250 [589.9]	8080775
		RCF4824HTAM	46500 [13.6]	34400 [10.1]	12100 [3.5]	16	13	1600 [755.1]	8080785
		RCF4824STAM	44000 [12.9]	30100 [8.8]	13900 [4.1]	16	13	1250 [589.9]	8080797
RA1648AC1	R802VA125524MSA	RCF4824HTAM	47000 [13.8]	34700 [10.2]	12300 [3.6]	16	13	1575 [743.3]	7942941
		RCF4824STAM	45500 [13.3]	33600 [9.8]	11900 [3.5]	16	13	1575 [743.3]	7942976
RA1648AC1	R802VA125524MXA	RCF4824HTAM	47000 [13.8]	34700 [10.2]	12300 [3.6]	16	13	1575 [743.3]	8080786
		RCF4824STAM	45500 [13.3]	33600 [9.8]	11900 [3.5]	16	13	1575 [743.3]	8080798
RA1648AC1	R802VA125524ZSA	RCF4824HTAM	47000 [13.8]	34700 [10.2]	12300 [3.6]	16	13	1575 [743.3]	7942942
		RCF4824STAM	44500 [13.0]	31100 [9.1]	13400 [3.9]	16	13	1325 [625.3]	7942977
RA1648AC1	R802VA125524ZXA	RCF4824HTAM	47000 [13.8]	34700 [10.2]	12300 [3.6]	16	13	1575 [743.3]	8080787
		RCF4824STAM	44500 [13.0]	31100 [9.1]	13400 [3.9]	16	13	1325 [625.3]	8080799
RA1648AJ1	R802VA050317MSA	RCF4821MTAM	44000 [12.9]	31100 [9.1]	12900 [3.8]	15.1	12.5	1175 [554.5]	8080854
		RCF4821STAM	43000 [12.6]	28700 [8.4]	14300 [4.2]	15.1	12.5	1175 [554.5]	7943226
RA1648AJ1	R802VA050317MXA	RCF4821STAM	43000 [12.6]	28700 [8.4]	14300 [4.2]	15.1	12.5	1175 [554.5]	8080877

[] Designates Metric Conversions

Performance Data @ AHRI Standard Conditions – Cooling (con't.)

R802V: Prestige 2-Stage 80% ECM Furnace Ratings									
Outdoor Unit	Furnace	Indoor Coil	Total Capacity BTU/H [kW]	Net Sensible BTU/H [kW]	Net Latent BTU/H [kW]	SEER	EER	Indoor CFM [L/s]	AHRI#
RA1648AJ1	R802VA075317ZSA	RCF4821STAM	43500 [12.7]	29300 [8.6]	14200 [4.2]	15.5	13	1200 [566.3]	7943227
RA1648AJ1	R802VA075317ZXA	RCF4821STAM	43500 [12.7]	29300 [8.6]	14200 [4.2]	15.5	13	1200 [566.3]	8080878
RA1648AJ1	R802VA075421MSA	RCF4821MTAM	45500 [13.3]	34500 [10.1]	11000 [3.2]	16	13	1475 [696.1]	8080855
		RCF4821STAM	44500 [13.0]	31200 [9.1]	13300 [3.9]	16	13	1350 [637.1]	8080879
		RCF4824HTAM	47000 [13.8]	34900 [10.2]	12100 [3.5]	16	13	1600 [755.1]	8080889
		RCF4824STAM	44500 [13.0]	31200 [9.1]	13300 [3.9]	16	13	1350 [637.1]	8080901
RA1648AJ1	R802VA075421MXA	RCF4821MTAM	45500 [13.3]	34500 [10.1]	11000 [3.2]	16	13	1475 [696.1]	8108082
		RCF4821STAM	44500 [13.0]	31200 [9.1]	13300 [3.9]	16	13	1350 [637.1]	8108083
		RCF4824HTAM	47000 [13.8]	34900 [10.2]	12100 [3.5]	16	13	1600 [755.1]	8108085
		RCF4824STAM	44500 [13.0]	31200 [9.1]	13300 [3.9]	16	13	1350 [637.1]	8108086
RA1648AJ1	R802VA075421ZSA	RCF4821STAM	44000 [12.9]	30400 [8.9]	13600 [4.0]	15.5	13	1300 [613.5]	7943228
		RCF4824HTAM	46000 [13.5]	33000 [9.7]	13000 [3.8]	16	13	1450 [684.3]	7943264
		RCF4824STAM	44000 [12.9]	30400 [8.9]	13600 [4.0]	15.5	13	1300 [613.5]	7943299
RA1648AJ1	R802VA075421ZXA	RCF4821STAM	44000 [12.9]	30400 [8.9]	13600 [4.0]	15.5	13	1300 [613.5]	8080880
		RCF4824HTAM	46000 [13.5]	33000 [9.7]	13000 [3.8]	16	13	1450 [684.3]	8080890
		RCF4824STAM	44000 [12.9]	30400 [8.9]	13600 [4.0]	15.5	13	1300 [613.5]	8080902
RA1648AJ1	R802VA100521MSA	RCF4821MTAM	46500 [13.6]	36100 [10.6]	10400 [3.0]	16	13	1575 [743.3]	8080856
		RCF4821STAM	45000 [13.2]	32000 [9.4]	13000 [3.8]	16	13	1400 [660.7]	7943229
		RCF4824HTAM	47000 [13.8]	34700 [10.2]	12300 [3.6]	16	13	1575 [743.3]	7943265
		RCF4824STAM	45000 [13.2]	32000 [9.4]	13000 [3.8]	16	13	1400 [660.7]	7943300
RA1648AJ1	R802VA100521MXA	RCF4821STAM	45000 [13.2]	32000 [9.4]	13000 [3.8]	16	13	1400 [660.7]	8080881
		RCF4824HTAM	47000 [13.8]	34700 [10.2]	12300 [3.6]	16	13	1575 [743.3]	8080891
		RCF4824STAM	45000 [13.2]	32000 [9.4]	13000 [3.8]	16	13	1400 [660.7]	8080903
RA1648AJ1	R802VA100521ZSA	RCF4821STAM	44000 [12.9]	30100 [8.8]	13900 [4.1]	16	13	1250 [589.9]	7943230
		RCF4824HTAM	46500 [13.6]	34400 [10.1]	12100 [3.5]	16	13	1600 [755.1]	7943266
		RCF4824STAM	44000 [12.9]	30100 [8.8]	13900 [4.1]	16	13	1250 [589.9]	7943301
RA1648AJ1	R802VA100521ZXA	RCF4821STAM	44000 [12.9]	30100 [8.8]	13900 [4.1]	16	13	1250 [589.9]	8080882
		RCF4824HTAM	46500 [13.6]	34400 [10.1]	12100 [3.5]	16	13	1600 [755.1]	8080892
		RCF4824STAM	44000 [12.9]	30100 [8.8]	13900 [4.1]	16	13	1250 [589.9]	8080904
RA1648AJ1	R802VA125524MSA	RCF4824HTAM	47000 [13.8]	34700 [10.2]	12300 [3.6]	16	13	1575 [743.3]	7943267
		RCF4824STAM	45500 [13.3]	33600 [9.8]	11900 [3.5]	16	13	1575 [743.3]	7943302
RA1648AJ1	R802VA125524MXA	RCF4824HTAM	47000 [13.8]	34700 [10.2]	12300 [3.6]	16	13	1575 [743.3]	8080893
		RCF4824STAM	45500 [13.3]	33600 [9.8]	11900 [3.5]	16	13	1575 [743.3]	8080905
RA1648AJ1	R802VA125524ZSA	RCF4824HTAM	47000 [13.8]	34700 [10.2]	12300 [3.6]	16	13	1575 [743.3]	7943268
		RCF4824STAM	44500 [13.0]	31100 [9.1]	13400 [3.9]	16	13	1325 [625.3]	7943303
RA1648AJ1	R802VA125524ZXA	RCF4824HTAM	47000 [13.8]	34700 [10.2]	12300 [3.6]	16	13	1575 [743.3]	8080894
		RCF4824STAM	44500 [13.0]	31100 [9.1]	13400 [3.9]	16	13	1325 [625.3]	8080906
RA1660AC1	R802VA075421MSA	RCF6021STAM	55500 [16.3]	37700 [11.0]	17800 [5.2]	15.1	12.5	1600 [755.1]	8080961
		RCF6024HTAM	57500 [16.9]	40700 [11.9]	16800 [4.9]	15.5	13	1600 [755.1]	8080986
		RCF6024STAM	57500 [16.9]	40700 [11.9]	16800 [4.9]	15.5	13	1600 [755.1]	8080998
RA1660AC1	R802VA075421MXA	RCF6021STAM	55500 [16.3]	37700 [11.0]	17800 [5.2]	15.1	12.5	1600 [755.1]	8108092
		RCF6024HTAM	57500 [16.9]	40700 [11.9]	16800 [4.9]	15.5	13	1600 [755.1]	8108093
		RCF6024STAM	57500 [16.9]	40700 [11.9]	16800 [4.9]	15.5	13	1600 [755.1]	8108094
RA1660AC1	R802VA075421ZSA	RCF6024HTAM	56500 [16.6]	39100 [11.5]	17400 [5.1]	15.1	12.5	1550 [731.5]	7943773
		RCF6024STAM	56500 [16.6]	39100 [11.5]	17400 [5.1]	15.1	12.5	1550 [731.5]	7943802
RA1660AC1	R802VA075421ZXA	RCF6024HTAM	56500 [16.6]	39100 [11.5]	17400 [5.1]	15.1	12.5	1550 [731.5]	8080987
		RCF6024STAM	56500 [16.6]	39100 [11.5]	17400 [5.1]	15.1	12.5	1550 [731.5]	8080999

[] Designates Metric Conversions

Performance Data @ AHRI Standard Conditions – Cooling (con't.)

R802V: Prestige 2-Stage 80% ECM Furnace Ratings									
Outdoor Unit	Furnace	Indoor Coil	Total Capacity BTU/H [kW]	Net Sensible BTU/H [kW]	Net Latent BTU/H [kW]	SEER	EER	Indoor CFM [L/s]	AHRI#
RA1660AC1	R802VA100521MSA	RCF6021STAM	55500 [16.3]	37100 [10.9]	18400 [5.4]	15.5	13	1525 [719.7]	8080962
		RCF6024HTAM	58000 [17.0]	42200 [12.4]	15800 [4.6]	15.5	13	1725 [814.1]	7943774
		RCF6024STAM	58000 [17.0]	42200 [12.4]	15800 [4.6]	15.5	13	1725 [814.1]	7943803
RA1660AC1	R802VA100521MXA	RCF6024HTAM	58000 [17.0]	42200 [12.4]	15800 [4.6]	15.5	13	1725 [814.1]	8080988
		RCF6024STAM	58000 [17.0]	42200 [12.4]	15800 [4.6]	15.5	13	1725 [814.1]	8081000
RA1660AC1	R802VA100521ZSA	RCF6024HTAM	57000 [16.7]	39400 [11.5]	17600 [5.2]	15.5	13	1500 [707.9]	7943775
		RCF6024STAM	57000 [16.7]	39400 [11.5]	17600 [5.2]	15.5	13	1500 [707.9]	7943804
RA1660AC1	R802VA100521ZXA	RCF6024HTAM	57000 [16.7]	39400 [11.5]	17600 [5.2]	15.5	13	1500 [707.9]	8080989
		RCF6024STAM	57000 [16.7]	39400 [11.5]	17600 [5.2]	15.5	13	1500 [707.9]	8081001
RA1660AC1	R802VA125524MSA	RCF6024HTAM	57500 [16.9]	40100 [11.8]	17400 [5.1]	16	13	1525 [719.7]	7943776
		RCF6024STAM	57500 [16.9]	40100 [11.8]	17400 [5.1]	16	13	1525 [719.7]	7943805
RA1660AC1	R802VA125524MXA	RCF6024HTAM	57500 [16.9]	40100 [11.8]	17400 [5.1]	16	13	1525 [719.7]	8080990
		RCF6024STAM	57500 [16.9]	40100 [11.8]	17400 [5.1]	16	13	1525 [719.7]	8081002
RA1660AC1	R802VA125524ZSA	RCF6024HTAM	57000 [16.7]	39600 [11.6]	17400 [5.1]	15.5	13	1525 [719.7]	7943777
		RCF6024STAM	57000 [16.7]	39600 [11.6]	17400 [5.1]	15.5	13	1525 [719.7]	7943806
RA1660AC1	R802VA125524ZXA	RCF6024HTAM	57000 [16.7]	39600 [11.6]	17400 [5.1]	15.5	13	1525 [719.7]	8080991
		RCF6024STAM	57000 [16.7]	39600 [11.6]	17400 [5.1]	15.5	13	1525 [719.7]	8081003
RA1660AJ1	R802VA075421MSA	RCF6021STAM	55500 [16.3]	37700 [11.0]	17800 [5.2]	15.1	12.5	1600 [755.1]	8081039
		RCF6024HTAM	57500 [16.9]	40700 [11.9]	16800 [4.9]	15.5	13	1600 [755.1]	8081064
		RCF6024STAM	57500 [16.9]	40700 [11.9]	16800 [4.9]	15.5	13	1600 [755.1]	8081076
RA1660AJ1	R802VA075421MXA	RCF6021STAM	55500 [16.3]	37700 [11.0]	17800 [5.2]	15.1	12.5	1600 [755.1]	8108098
		RCF6024HTAM	57500 [16.9]	40700 [11.9]	16800 [4.9]	15.5	13	1600 [755.1]	8108099
		RCF6024STAM	57500 [16.9]	40700 [11.9]	16800 [4.9]	15.5	13	1600 [755.1]	8108101
RA1660AJ1	R802VA075421ZSA	RCF6024HTAM	56500 [16.6]	39100 [11.5]	17400 [5.1]	15.1	12.5	1550 [731.5]	7943552
		RCF6024STAM	56500 [16.6]	39100 [11.5]	17400 [5.1]	15.1	12.5	1550 [731.5]	7943581
RA1660AJ1	R802VA075421ZXA	RCF6024HTAM	56500 [16.6]	39100 [11.5]	17400 [5.1]	15.1	12.5	1550 [731.5]	8081065
		RCF6024STAM	56500 [16.6]	39100 [11.5]	17400 [5.1]	15.1	12.5	1550 [731.5]	8081077
RA1660AJ1	R802VA100521MSA	RCF6021STAM	55500 [16.3]	37100 [10.9]	18400 [5.4]	15.5	13	1525 [719.7]	8081040
		RCF6024HTAM	58000 [17.0]	42200 [12.4]	15800 [4.6]	15.5	13	1725 [814.1]	7943553
		RCF6024STAM	58000 [17.0]	42200 [12.4]	15800 [4.6]	15.5	13	1725 [814.1]	7943582
RA1660AJ1	R802VA100521MXA	RCF6024HTAM	58000 [17.0]	42200 [12.4]	15800 [4.6]	15.5	13	1725 [814.1]	8081066
		RCF6024STAM	58000 [17.0]	42200 [12.4]	15800 [4.6]	15.5	13	1725 [814.1]	8081078
RA1660AJ1	R802VA100521ZSA	RCF6024HTAM	57000 [16.7]	39400 [11.5]	17600 [5.2]	15.5	13	1500 [707.9]	7943554
		RCF6024STAM	57000 [16.7]	39400 [11.5]	17600 [5.2]	15.5	13	1500 [707.9]	7943583
RA1660AJ1	R802VA100521ZXA	RCF6024HTAM	57000 [16.7]	39400 [11.5]	17600 [5.2]	15.5	13	1500 [707.9]	8081067
		RCF6024STAM	57000 [16.7]	39400 [11.5]	17600 [5.2]	15.5	13	1500 [707.9]	8081079
RA1660AJ1	R802VA125524MSA	RCF6024HTAM	57500 [16.9]	40100 [11.8]	17400 [5.1]	16	13	1525 [719.7]	7943555
		RCF6024STAM	57500 [16.9]	40100 [11.8]	17400 [5.1]	16	13	1525 [719.7]	7943584
RA1660AJ1	R802VA125524MXA	RCF6024HTAM	57500 [16.9]	40100 [11.8]	17400 [5.1]	16	13	1525 [719.7]	8081068
		RCF6024STAM	57500 [16.9]	40100 [11.8]	17400 [5.1]	16	13	1525 [719.7]	8081080
RA1660AJ1	R802VA125524ZSA	RCF6024HTAM	57000 [16.7]	39600 [11.6]	17400 [5.1]	15.5	13	1525 [719.7]	7943556
		RCF6024STAM	57000 [16.7]	39600 [11.6]	17400 [5.1]	15.5	13	1525 [719.7]	7943585
RA1660AJ1	R802VA125524ZXA	RCF6024HTAM	57000 [16.7]	39600 [11.6]	17400 [5.1]	15.5	13	1525 [719.7]	8081069
		RCF6024STAM	57000 [16.7]	39600 [11.6]	17400 [5.1]	15.5	13	1525 [719.7]	8081081

[] Designates Metric Conversions

Performance Data @ AHRI Standard Conditions – Cooling (con't.)

R95T: 95% AFUE single-stage Constant Torque Multipoise Gas Furnace Ratings									
Outdoor Unit	Furnace	Indoor Coil	Total Capacity BTU/H [kW]	Net Sensible BTU/H [kW]	Net Latent BTU/H [kW]	SEER	EER	Indoor CFM [L/s]	AHRI#
RA1618AJ1	R95TA0401317MSA	RCF2417HTAM	18000 [5.3]	13500 [4.0]	4500 [1.3]	16	13	650 [306.8]	7940301
		RCF2417MTAM	18000 [5.3]	13500 [4.0]	4500 [1.3]	16	13	650 [306.8]	7940322
		RCF2417STAM	18000 [5.3]	13500 [4.0]	4500 [1.3]	16	13	650 [306.8]	7940343
		RCF2421MTAM	18000 [5.3]	13500 [4.0]	4500 [1.3]	16	13	650 [306.8]	7940390
		RCF2421HTAM	18000 [5.3]	13500 [4.0]	4500 [1.3]	16	13	650 [306.8]	7940364
RA1624AJ1	R95TA0401317MSA	RCF2417HTAM	24000 [7.0]	17500 [5.1]	6500 [1.9]	16	13	875 [413.0]	7940580
		RCF2417MTAM	24000 [7.0]	17500 [5.1]	6500 [1.9]	16	13	875 [413.0]	7940604
		RCF2417STAM	24000 [7.0]	17500 [5.1]	6500 [1.9]	16	13	850 [401.2]	7940628
		RCF2421MTAM	24000 [7.0]	17500 [5.1]	6500 [1.9]	16	13	875 [413.0]	7940687
RA1624AJ1	R95TA0601317MSA	RCF2417HTAM	24000 [7.0]	17500 [5.1]	6500 [1.9]	16	13	725 [342.2]	7940581
		RCF2417MTAM	24000 [7.0]	17500 [5.1]	6500 [1.9]	15.5	13	875 [413.0]	7940605
		RCF2417STAM	24000 [7.0]	17500 [5.1]	6500 [1.9]	15.5	13	875 [413.0]	7940629
		RCF2421MTAM	24000 [7.0]	17500 [5.1]	6500 [1.9]	15.5	13	875 [413.0]	7940688
RA1624AJ1	R95TA0701317MSA	RCF2417HTAM	24000 [7.0]	17500 [5.1]	6500 [1.9]	15.5	13	850 [401.2]	7940582
		RCF2417MTAM	24000 [7.0]	17500 [5.1]	6500 [1.9]	15.5	13	850 [401.2]	7940606
		RCF2417STAM	24000 [7.0]	17500 [5.1]	6500 [1.9]	15.5	13	825 [389.4]	7940630
		RCF2421MTAM	24000 [7.0]	17500 [5.1]	6500 [1.9]	15.5	13	850 [401.2]	7940689
RA1624AJ1	R95TA0401317MSA	RCF2421HTAM	24000 [7.0]	17500 [5.1]	6500 [1.9]	16	13	875 [413.0]	7940654
RA1624AJ1	R95TA0601317MSA	RCF2421HTAM	24000 [7.0]	17500 [5.1]	6500 [1.9]	15.5	13	875 [413.0]	7940655
RA1624AJ1	R95TA0701317MSA	RCF2421HTAM	24000 [7.0]	17500 [5.1]	6500 [1.9]	15.5	13	850 [401.2]	7940656
RA1630AJ1	R95TA0401317MSA	RCF3617STAM	28400 [8.3]	21200 [6.2]	7200 [2.1]	16	13	925 [436.6]	7940910
		RCF3621HTAM	30000 [8.8]	22800 [6.7]	7200 [2.1]	16	13	1000 [471.9]	8080012
		RCF3621MTAM	29800 [8.7]	20800 [6.1]	9000 [2.6]	16	13	950 [448.4]	7940942
		RCF3621STAM	28600 [8.4]	21500 [6.3]	7100 [2.1]	16	13	950 [448.4]	7940986
RA1630AJ1	R95TA0601317MSA	RCF3617STAM	28200 [8.3]	20800 [6.1]	7400 [2.2]	16	13	850 [401.2]	7940911
		RCF3621HTAM	30000 [8.8]	22800 [6.7]	7200 [2.1]	16	13	925 [436.6]	8080013
		RCF3621MTAM	30000 [8.8]	21300 [6.2]	8700 [2.5]	16	13	1050 [495.5]	7940943
		RCF3621STAM	28400 [8.3]	21200 [6.2]	7200 [2.1]	16	13	900 [424.8]	7940987
RA1630AJ1	R95TA0701317MSA	RCF3617STAM	28000 [8.2]	20600 [6.0]	7400 [2.2]	16	13	850 [401.2]	7940912
		RCF3621HTAM	30000 [8.8]	22800 [6.7]	7200 [2.1]	16	13	975 [460.1]	8080014
		RCF3621MTAM	29600 [8.7]	20600 [6.0]	9000 [2.6]	16	13	950 [448.4]	7940944
		RCF3621STAM	28200 [8.3]	20900 [6.1]	7300 [2.1]	16	13	875 [413.0]	7940988
RA1636BC1	R95TA0401317MSA	RCF3617STAM	35800 [10.5]	25300 [7.4]	10500 [3.1]	15.1	12.5	1050 [495.5]	8177900
		RCF3621HTAM	36000 [10.6]	25600 [7.5]	10400 [3.0]	16	13	1200 [566.3]	8177928
		RCF3621MTAM	36000 [10.6]	25600 [7.5]	10400 [3.0]	15.5	13	1100 [519.1]	8177958
		RCF3621STAM	36000 [10.6]	25600 [7.5]	10400 [3.0]	15.1	12.5	1075 [507.3]	8178006
RA1636BC1	R95TA0601317MSA	RCF3617STAM	35400 [10.4]	24700 [7.2]	10700 [3.1]	14.5	12.2	1000 [471.9]	8177901
		RCF3621HTAM	36000 [10.6]	25600 [7.5]	10400 [3.0]	16	13	1075 [507.3]	8177929
		RCF3621MTAM	36000 [10.6]	25000 [7.3]	11000 [3.2]	15.1	12.5	1050 [495.5]	8177959
		RCF3621STAM	35600 [10.4]	25000 [7.3]	10600 [3.1]	14.5	12.2	1025 [483.7]	8178007
RA1636BC1	R95TA0701317MSA	RCF3617STAM	35600 [10.4]	25000 [7.3]	10600 [3.1]	14.5	12.2	1025 [483.7]	8177902
		RCF3621HTAM	36000 [10.6]	25600 [7.5]	10400 [3.0]	16	13	1075 [507.3]	8177930
		RCF3621MTAM	36000 [10.6]	25200 [7.4]	10800 [3.2]	15.1	12.5	1075 [507.3]	8177960
		RCF3621STAM	35800 [10.5]	25500 [7.5]	10300 [3.0]	14.5	12.2	1100 [519.1]	8178008
RA1636BC1	R95TA1151524MSA	RCF3624MTAM	36000 [10.6]	25600 [7.5]	10400 [3.0]	15	12.5	1275 [601.7]	8178090
RA1636BJ1	R95TA0401317MSA	RCF3617STAM	35800 [10.5]	25300 [7.4]	10500 [3.1]	15.1	12.5	1050 [495.5]	8178431
		RCF3621HTAM	36000 [10.6]	25600 [7.5]	10400 [3.0]	16	13	1200 [566.3]	8178459
		RCF3621MTAM	36000 [10.6]	25600 [7.5]	10400 [3.0]	15.5	13	1100 [519.1]	8178489
		RCF3621STAM	36000 [10.6]	25600 [7.5]	10400 [3.0]	15.1	12.5	1075 [507.3]	8178535

[] Designates Metric Conversions



Performance Data @ AHRI Standard Conditions – Cooling (con't.)

R95T: 95% AFUE single-stage Constant Torque Multipoise Gas Furnace Ratings									
Outdoor Unit	Furnace	Indoor Coil	Total Capacity BTU/H [kW]	Net Sensible BTU/H [kW]	Net Latent BTU/H [kW]	SEER	EER	Indoor CFM [L/s]	AHRI#
RA1636BJ1	R95TA0601317MSA	RCF3617STAM	35400 [10.4]	24700 [7.2]	10700 [3.1]	14.5	12.2	1000 [471.9]	8178432
		RCF3621HTAM	36000 [10.6]	25600 [7.5]	10400 [3.0]	16	13	1075 [507.3]	8178460
		RCF3621MTAM	36000 [10.6]	25000 [7.3]	11000 [3.2]	15.1	12.5	1050 [495.5]	8178490
		RCF3621STAM	35600 [10.4]	25000 [7.3]	10600 [3.1]	14.5	12.2	1025 [483.7]	8178536
RA1636BJ1	R95TA0701317MSA	RCF3617STAM	35600 [10.4]	25000 [7.3]	10600 [3.1]	14.5	12.2	1025 [483.7]	8178433
		RCF3621HTAM	36000 [10.6]	25600 [7.5]	10400 [3.0]	16	13	1075 [507.3]	8178461
		RCF3621MTAM	36000 [10.6]	25200 [7.4]	10800 [3.2]	15.1	12.5	1075 [507.3]	8178491
		RCF3621STAM	35800 [10.5]	25500 [7.5]	10300 [3.0]	14.5	12.2	1100 [519.1]	8178537
RA1636BJ1	R95TA1151524MSA	RCF3624MTAM	36000 [10.6]	25600 [7.5]	10400 [3.0]	15	12.5	1275 [601.7]	8178615
RA1642AC1	R95TA0401317MSA	RCF4821MTAM	41000 [12.0]	27000 [7.9]	14000 [4.1]	16	13	1125 [530.9]	8080521
		RCF4821STAM	40000 [11.7]	27500 [8.1]	12500 [3.7]	15.5	13	1100 [519.1]	7942235
RA1642AC1	R95TA0601317MSA	RCF4821MTAM	41000 [12.0]	27700 [8.1]	13300 [3.9]	15.1	12.5	1250 [589.9]	8080522
		RCF4821STAM	40500 [11.9]	28700 [8.4]	11800 [3.5]	14.5	12.2	1225 [578.1]	7942236
RA1642AC1	R95TA0701317MSA	RCF4821MTAM	41000 [12.0]	27100 [7.9]	13900 [4.1]	15.1	12.5	1150 [542.7]	8080523
		RCF4821STAM	40000 [11.7]	27400 [8.0]	12600 [3.7]	15.1	12.5	1075 [507.3]	7942237
RA1642AC1	R95TA0851521MSA	RCF4821MTAM	42000 [12.3]	29200 [8.6]	12800 [3.8]	15.5	13	1350 [637.1]	8080524
		RCF4821STAM	41000 [12.0]	29800 [8.7]	11200 [3.3]	15.1	12.5	1325 [625.3]	7942238
		RCF4824HTAM	42000 [12.3]	31100 [9.1]	10900 [3.2]	16	13	1350 [637.1]	7942280
		RCF4824STAM	41000 [12.0]	29800 [8.7]	11200 [3.3]	15.1	12.5	1325 [625.3]	7942316
RA1642AC1	R95TA1001521MSA	RCF4821MTAM	42000 [12.3]	29600 [8.7]	12400 [3.6]	15.5	13	1425 [672.5]	8080525
		RCF4821STAM	41000 [12.0]	30200 [8.9]	10800 [3.2]	15.1	12.5	1400 [660.7]	7942239
		RCF4824HTAM	42000 [12.3]	31100 [9.1]	10900 [3.2]	15.5	13	1425 [672.5]	7942281
		RCF4824STAM	41000 [12.0]	30200 [8.9]	10800 [3.2]	15.1	12.5	1400 [660.7]	7942317
RA1642AC1	R95TA1151524MSA	RCF4824HTAM	42000 [12.3]	31100 [9.1]	10900 [3.2]	16	13	1300 [613.5]	7942282
		RCF4824STAM	40500 [11.9]	29000 [8.5]	11500 [3.4]	15.1	12.5	1275 [601.7]	7942318
RA1642AJ1	R95TA0401317MSA	RCF4821MTAM	41000 [12.0]	27000 [7.9]	14000 [4.1]	16	13	1125 [530.9]	8080636
		RCF4821STAM	40000 [11.7]	27500 [8.1]	12500 [3.7]	15.5	13	1100 [519.1]	7942571
RA1642AJ1	R95TA0601317MSA	RCF4821MTAM	41000 [12.0]	27700 [8.1]	13300 [3.9]	15.1	12.5	1250 [589.9]	8080637
		RCF4821STAM	40500 [11.9]	28700 [8.4]	11800 [3.5]	14.5	12.2	1225 [578.1]	7942572
RA1642AJ1	R95TA0701317MSA	RCF4821MTAM	41000 [12.0]	27100 [7.9]	13900 [4.1]	15.1	12.5	1150 [542.7]	8080638
		RCF4821STAM	40000 [11.7]	27400 [8.0]	12600 [3.7]	15.1	12.5	1075 [507.3]	7942573
RA1642AJ1	R95TA0851521MSA	RCF4821MTAM	42000 [12.3]	29200 [8.6]	12800 [3.8]	15.5	13	1350 [637.1]	8080639
		RCF4821STAM	41000 [12.0]	29800 [8.7]	11200 [3.3]	15.1	12.5	1325 [625.3]	7942574
		RCF4824HTAM	42000 [12.3]	31100 [9.1]	10900 [3.2]	16	13	1350 [637.1]	7942616
		RCF4824STAM	41000 [12.0]	29800 [8.7]	11200 [3.3]	15.1	12.5	1325 [625.3]	7942652
RA1642AJ1	R95TA1001521MSA	RCF4821MTAM	42000 [12.3]	29600 [8.7]	12400 [3.6]	15.5	13	1425 [672.5]	8080640
		RCF4821STAM	41000 [12.0]	30200 [8.9]	10800 [3.2]	15.1	12.5	1400 [660.7]	7942575
		RCF4824HTAM	42000 [12.3]	31100 [9.1]	10900 [3.2]	15.5	13	1425 [672.5]	7942617
		RCF4824STAM	41000 [12.0]	30200 [8.9]	10800 [3.2]	15.1	12.5	1400 [660.7]	7942653
RA1642AJ1	R95TA1151524MSA	RCF4824HTAM	42000 [12.3]	31100 [9.1]	10900 [3.2]	16	13	1300 [613.5]	7942618
		RCF4824STAM	40500 [11.9]	29000 [8.5]	11500 [3.4]	15.1	12.5	1275 [601.7]	7942654
RA1648AC1	R95TA0601317MSA	RCF4821MTAM	44000 [12.9]	31400 [9.2]	12600 [3.7]	15.1	12.5	1225 [578.1]	8080750
		RCF4821STAM	43500 [12.7]	29500 [8.6]	14000 [4.1]	15.1	12.5	1225 [578.1]	7942905
RA1648AC1	R95TA0701317MSA	RCF4821MTAM	44000 [12.9]	31200 [9.1]	12800 [3.8]	15.1	12.5	1200 [566.3]	8080751
RA1648AC1	R95TA0851521MSA	RCF4821MTAM	45000 [13.2]	33000 [9.7]	12000 [3.5]	15.5	13	1325 [625.3]	8080752
		RCF4821STAM	44000 [12.9]	31000 [9.1]	13000 [3.8]	15.1	12.5	1400 [660.7]	7942906
		RCF4824HTAM	45500 [13.3]	31800 [9.3]	13700 [4.0]	16	13	1350 [637.1]	7942943
		RCF4824STAM	44000 [12.9]	31000 [9.1]	13000 [3.8]	15.1	12.5	1400 [660.7]	7942978

[] Designates Metric Conversions

Performance Data @ AHRI Standard Conditions – Cooling (con't.)

R95T: 95% AFUE single-stage Constant Torque Multipoise Gas Furnace Ratings									
Outdoor Unit	Furnace	Indoor Coil	Total Capacity BTU/H [kW]	Net Sensible BTU/H [kW]	Net Latent BTU/H [kW]	SEER	EER	Indoor CFM [L/s]	AHRI#
RA1648AC1	R95TA1001521MSA	RCF4821MTAM	45000 [13.2]	33500 [9.8]	11500 [3.4]	15.5	13	1400 [660.7]	8080753
		RCF4821STAM	44000 [12.9]	30900 [9.1]	13100 [3.8]	15.1	12.5	1375 [648.9]	7942907
		RCF4824HTAM	46000 [13.5]	32800 [9.6]	13200 [3.9]	16	13	1425 [672.5]	7942944
		RCF4824STAM	44000 [12.9]	30900 [9.1]	13100 [3.8]	15.1	12.5	1375 [648.9]	7942979
RA1648AC1	R95TA1151524MSA	RCF4824HTAM	45500 [13.3]	31500 [9.2]	14000 [4.1]	16	13	1300 [613.5]	7942945
		RCF4824STAM	44000 [12.9]	30300 [8.9]	13700 [4.0]	15.5	13	1275 [601.7]	7942980
RA1648AJ1	R95TA0601317MSA	RCF4821MTAM	44000 [12.9]	31400 [9.2]	12600 [3.7]	15.1	12.5	1225 [578.1]	8080857
		RCF4821STAM	43500 [12.7]	29500 [8.6]	14000 [4.1]	15.1	12.5	1225 [578.1]	7943231
RA1648AJ1	R95TA0701317MSA	RCF4821MTAM	44000 [12.9]	31200 [9.1]	12800 [3.8]	15.1	12.5	1200 [566.3]	8080858
RA1648AJ1	R95TA0851521MSA	RCF4821MTAM	45000 [13.2]	33000 [9.7]	12000 [3.5]	15.5	13	1325 [625.3]	8080859
		RCF4821STAM	44000 [12.9]	31000 [9.1]	13000 [3.8]	15.1	12.5	1400 [660.7]	7943232
		RCF4824HTAM	45500 [13.3]	31800 [9.3]	13700 [4.0]	16	13	1350 [637.1]	7943269
		RCF4824STAM	44000 [12.9]	31000 [9.1]	13000 [3.8]	15.1	12.5	1400 [660.7]	7943304
RA1648AJ1	R95TA1001521MSA	RCF4821MTAM	45000 [13.2]	33500 [9.8]	11500 [3.4]	15.5	13	1400 [660.7]	8080860
		RCF4821STAM	44000 [12.9]	30900 [9.1]	13100 [3.8]	15.1	12.5	1375 [648.9]	7943233
		RCF4824HTAM	46000 [13.5]	32800 [9.6]	13200 [3.9]	16	13	1425 [672.5]	7943270
		RCF4824STAM	44000 [12.9]	30900 [9.1]	13100 [3.8]	15.1	12.5	1375 [648.9]	7943305
RA1648AJ1	R95TA1151524MSA	RCF4824HTAM	45500 [13.3]	31500 [9.2]	14000 [4.1]	16	13	1300 [613.5]	7943271
		RCF4824STAM	44000 [12.9]	30300 [8.9]	13700 [4.0]	15.5	13	1275 [601.7]	7943306
RA1660AC1	R95TA0851521MSA	RCF6021STAM	54000 [15.8]	34600 [10.1]	19400 [5.7]	15	12.5	1375 [648.9]	8080963
		RCF6024HTAM	56500 [16.6]	38700 [11.3]	17800 [5.2]	15.1	12.5	1475 [696.1]	7943778
		RCF6024STAM	56500 [16.6]	38700 [11.3]	17800 [5.2]	15.1	12.5	1475 [696.1]	7943807
RA1660AC1	R95TA1001521MSA	RCF6021STAM	54500 [16.0]	35400 [10.4]	19100 [5.6]	15	12.5	1425 [672.5]	8080964
		RCF6024HTAM	56500 [16.6]	39100 [11.5]	17400 [5.1]	15.1	12.5	1550 [731.5]	7943779
		RCF6024STAM	56500 [16.6]	39100 [11.5]	17400 [5.1]	15.1	12.5	1550 [731.5]	7943808
RA1660AC1	R95TA1151524MSA	RCF6024HTAM	56000 [16.4]	37800 [11.1]	18200 [5.3]	15.1	12.5	1425 [672.5]	7943780
		RCF6024STAM	56000 [16.4]	37800 [11.1]	18200 [5.3]	15.1	12.5	1425 [672.5]	7943809
RA1660AJ1	R95TA0851521MSA	RCF6021STAM	54000 [15.8]	34600 [10.1]	19400 [5.7]	15	12.5	1375 [648.9]	8081041
		RCF6024HTAM	56500 [16.6]	38700 [11.3]	17800 [5.2]	15.1	12.5	1475 [696.1]	7943557
		RCF6024STAM	56500 [16.6]	38700 [11.3]	17800 [5.2]	15.1	12.5	1475 [696.1]	7943586
RA1660AJ1	R95TA1001521MSA	RCF6021STAM	54500 [16.0]	35400 [10.4]	19100 [5.6]	15	12.5	1425 [672.5]	8081042
		RCF6024HTAM	56500 [16.6]	39100 [11.5]	17400 [5.1]	15.1	12.5	1550 [731.5]	7943558
		RCF6024STAM	56500 [16.6]	39100 [11.5]	17400 [5.1]	15.1	12.5	1550 [731.5]	7943587
RA1660AJ1	R95TA1151524MSA	RCF6024HTAM	56000 [16.4]	37800 [11.1]	18200 [5.3]	15.1	12.5	1425 [672.5]	7943559
		RCF6024STAM	56000 [16.4]	37800 [11.1]	18200 [5.3]	15.1	12.5	1425 [672.5]	7943588

[] Designates Metric Conversions

Performance Data @ AHRI Standard Conditions – Cooling (con't.)

R96V: 96% AFUE 2-stage Variable Speed Multipoise Gas Furnace Ratings									
Outdoor Unit	Furnace	Indoor Coil	Total Capacity BTU/H [kW]	Net Sensible BTU/H [kW]	Net Latent BTU/H [kW]	SEER	EER	Indoor CFM [L/s]	AHRI#
RA1618AJ1	R96VA0402317MSA	RCF2417HTAM	18000 [5.3]	13500 [4.0]	4500 [1.3]	16	13	675 [318.6]	7940302
		RCF2417MTAM	18000 [5.3]	13500 [4.0]	4500 [1.3]	16	13	675 [318.6]	7940323
		RCF2417STAM	18000 [5.3]	13500 [4.0]	4500 [1.3]	16	13	675 [318.6]	7940344
		RCF2421MTAM	18000 [5.3]	13500 [4.0]	4500 [1.3]	16	13	675 [318.6]	7940391
RA1618AJ1	R96VA0602317MSA	RCF2417HTAM	18000 [5.3]	13500 [4.0]	4500 [1.3]	16	13	650 [306.8]	7940303
		RCF2417MTAM	18000 [5.3]	13500 [4.0]	4500 [1.3]	16	13	650 [306.8]	7940324
		RCF2417STAM	18000 [5.3]	13500 [4.0]	4500 [1.3]	16	13	650 [306.8]	7940345
		RCF2421MTAM	18000 [5.3]	13500 [4.0]	4500 [1.3]	16	13	650 [306.8]	7940392
RA1618AJ1	R96VA0702317MSA	RCF2417HTAM	18000 [5.3]	13500 [4.0]	4500 [1.3]	16	13	650 [306.8]	7940304
		RCF2417MTAM	18000 [5.3]	13500 [4.0]	4500 [1.3]	16	13	650 [306.8]	7940325
		RCF2417STAM	18000 [5.3]	13500 [4.0]	4500 [1.3]	16	13	650 [306.8]	7940346
		RCF2421MTAM	18000 [5.3]	13500 [4.0]	4500 [1.3]	16	13	650 [306.8]	7940393
RA1618AJ1	R96VA0402317MSA	RCF2421HTAM	18000 [5.3]	13500 [4.0]	4500 [1.3]	16	13	675 [318.6]	7940365
RA1618AJ1	R96VA0602317MSA	RCF2421HTAM	18000 [5.3]	13500 [4.0]	4500 [1.3]	16	13	650 [306.8]	7940366
RA1618AJ1	R96VA0702317MSA	RCF2421HTAM	18000 [5.3]	13500 [4.0]	4500 [1.3]	16	13	650 [306.8]	7940367
RA1624AJ1	R96VA0402317MSA	RCF2417HTAM	24000 [7.0]	17500 [5.1]	6500 [1.9]	16	13	875 [413.0]	7940583
		RCF2417MTAM	24000 [7.0]	17500 [5.1]	6500 [1.9]	16	13	850 [401.2]	7940607
		RCF2417STAM	24000 [7.0]	17500 [5.1]	6500 [1.9]	16	13	750 [354.0]	7940631
		RCF2421MTAM	24000 [7.0]	17500 [5.1]	6500 [1.9]	16	13	850 [401.2]	7940690
RA1624AJ1	R96VA0602317MSA	RCF2417HTAM	24000 [7.0]	17500 [5.1]	6500 [1.9]	15.5	13	850 [401.2]	7940584
		RCF2417MTAM	24000 [7.0]	17500 [5.1]	6500 [1.9]	15.5	13	850 [401.2]	7940608
		RCF2417STAM	24000 [7.0]	17500 [5.1]	6500 [1.9]	15.5	13	850 [401.2]	7940632
		RCF2421MTAM	24000 [7.0]	17500 [5.1]	6500 [1.9]	15.5	13	850 [401.2]	7940691
RA1624AJ1	R96VA0702317MSA	RCF2417HTAM	24000 [7.0]	17500 [5.1]	6500 [1.9]	16	13	800 [377.6]	7940585
		RCF2417MTAM	24000 [7.0]	17500 [5.1]	6500 [1.9]	16	13	800 [377.6]	7940609
		RCF2417STAM	24000 [7.0]	17500 [5.1]	6500 [1.9]	16	13	775 [365.8]	7940633
		RCF2421MTAM	24000 [7.0]	17500 [5.1]	6500 [1.9]	16	13	800 [377.6]	7940692
RA1624AJ1	R96VA0852521MSB	RCF2421MTAM	24000 [7.0]	17500 [5.1]	6500 [1.9]	16	13	800 [377.6]	7940693
RA1624AJ1	R96VA1002521MSA	RCF2421MTAM	24000 [7.0]	17500 [5.1]	6500 [1.9]	16	13	875 [413.0]	7940694
RA1624AJ1	R96VA0402317MSA	RCF2421HTAM	24000 [7.0]	17500 [5.1]	6500 [1.9]	16	13	850 [401.2]	7940657
RA1624AJ1	R96VA0602317MSA	RCF2421HTAM	24000 [7.0]	17500 [5.1]	6500 [1.9]	15.5	13	850 [401.2]	7940658
RA1624AJ1	R96VA0702317MSA	RCF2421HTAM	24000 [7.0]	17500 [5.1]	6500 [1.9]	16	13	800 [377.6]	7940659
RA1624AJ1	R96VA0852521MSB	RCF2421HTAM	24000 [7.0]	17500 [5.1]	6500 [1.9]	16	13	800 [377.6]	7940660
RA1624AJ1	R96VA1002521MSA	RCF2421HTAM	24000 [7.0]	17500 [5.1]	6500 [1.9]	16	13	875 [413.0]	7940661
RA1630AJ1	R96VA0402317MSA	RCF3617STAM	28600 [8.4]	21500 [6.3]	7100 [2.1]	16	13	950 [448.4]	7940913
		RCF3621HTAM	30000 [8.8]	22800 [6.7]	7200 [2.1]	16	13	1025 [483.7]	8080015
		RCF3621MTAM	30000 [8.8]	21300 [6.2]	8700 [2.5]	16	13	1025 [483.7]	7940945
		RCF3621STAM	28600 [8.4]	21500 [6.3]	7100 [2.1]	16	13	950 [448.4]	7940989
RA1630AJ1	R96VA0602317MSA	RCF3617STAM	28200 [8.3]	21000 [6.2]	7200 [2.1]	16	13	900 [424.8]	7940914
		RCF3621HTAM	30000 [8.8]	22800 [6.7]	7200 [2.1]	16	13	975 [460.1]	8080016
		RCF3621MTAM	30000 [8.8]	21300 [6.2]	8700 [2.5]	16	13	1050 [495.5]	7940946
		RCF3621STAM	28400 [8.3]	21200 [6.2]	7200 [2.1]	16	13	900 [424.8]	7940990
RA1630AJ1	R96VA0702317MSA	RCF3617STAM	28600 [8.4]	21500 [6.3]	7100 [2.1]	16	13	950 [448.4]	7940915
		RCF3621HTAM	30000 [8.8]	22800 [6.7]	7200 [2.1]	16	13	1050 [495.5]	8080017
		RCF3621MTAM	30000 [8.8]	21300 [6.2]	8700 [2.5]	16	13	1050 [495.5]	7940947
		RCF3621STAM	28600 [8.4]	21500 [6.3]	7100 [2.1]	16	13	950 [448.4]	7940991

[] Designates Metric Conversions

Performance Data @ AHRI Standard Conditions – Cooling (con't.)

R96V: 96% AFUE 2-stage Variable Speed Multipoise Gas Furnace Ratings									
Outdoor Unit	Furnace	Indoor Coil	Total Capacity BTU/H [kW]	Net Sensible BTU/H [kW]	Net Latent BTU/H [kW]	SEER	EER	Indoor CFM [L/s]	AHRI#
RA1630AJ1	R96VA0852521MSB	RCF3621HTAM	30000 [8.8]	22800 [6.7]	7200 [2.1]	16	13	1075 [507.3]	8080018
		RCF3621MTAM	30000 [8.8]	22800 [6.7]	7200 [2.1]	16	13	1075 [507.3]	7940948
		RCF3621STAM	29000 [8.5]	22200 [6.5]	6800 [2.0]	16	13	1025 [483.7]	7940992
		RCF3624HTAM	30000 [8.8]	22800 [6.7]	7200 [2.1]	16	13	1075 [507.3]	7941027
		RCF3624MTAM	30000 [8.8]	22800 [6.7]	7200 [2.1]	16	13	1075 [507.3]	7941059
RA1630AJ1	R96VA1002521MSA	RCF3621HTAM	30000 [8.8]	22800 [6.7]	7200 [2.1]	16	13	1050 [495.5]	8080019
		RCF3621MTAM	30000 [8.8]	22800 [6.7]	7200 [2.1]	16	13	1050 [495.5]	7940949
		RCF3621STAM	29000 [8.5]	22100 [6.5]	6900 [2.0]	16	13	1000 [471.9]	7940993
		RCF3624HTAM	30000 [8.8]	22800 [6.7]	7200 [2.1]	16	13	1050 [495.5]	7941028
		RCF3624MTAM	30000 [8.8]	22800 [6.7]	7200 [2.1]	16	13	1050 [495.5]	7941060
RA1630AJ1	R96VA1152524MSA	RCF3624HTAM	30000 [8.8]	22800 [6.7]	7200 [2.1]	16	13	1050 [495.5]	7941029
		RCF3624MTAM	30000 [8.8]	22800 [6.7]	7200 [2.1]	16	13	1050 [495.5]	7941061
RA1636BC1	R96VA0402317MSA	RCF3617STAM	35400 [10.4]	24500 [7.2]	10900 [3.2]	15.1	12.5	950 [448.4]	8177903
		RCF3621HTAM	36000 [10.6]	25600 [7.5]	10400 [3.0]	16	13	1125 [530.9]	8177931
		RCF3621MTAM	36000 [10.6]	24900 [7.3]	11100 [3.3]	15.5	13	1025 [483.7]	8177961
		RCF3621STAM	35800 [10.5]	25200 [7.4]	10600 [3.1]	15.1	12.5	1025 [483.7]	8178009
RA1636BC1	R96VA0602317MSA	RCF3617STAM	35200 [10.3]	24300 [7.1]	10900 [3.2]	15	12.5	950 [448.4]	8177904
		RCF3621HTAM	36000 [10.6]	25600 [7.5]	10400 [3.0]	16	13	1050 [495.5]	8177932
		RCF3621MTAM	36000 [10.6]	25000 [7.3]	11000 [3.2]	15.1	12.5	1050 [495.5]	8177962
		RCF3621STAM	35400 [10.4]	24600 [7.2]	10800 [3.2]	15	12.5	975 [460.1]	8178011
RA1636BC1	R96VA0702317MSA	RCF3617STAM	35400 [10.4]	24500 [7.2]	10900 [3.2]	15.1	12.5	950 [448.4]	8177905
		RCF3621HTAM	36000 [10.6]	25600 [7.5]	10400 [3.0]	16	13	1150 [542.7]	8177933
		RCF3621MTAM	35600 [10.4]	24200 [7.1]	11400 [3.3]	15.5	13	950 [448.4]	8177963
		RCF3621STAM	35400 [10.4]	24500 [7.2]	10900 [3.2]	15.1	12.5	950 [448.4]	8178012
RA1636BC1	R96VA0852521MSB	RCF3621HTAM	36000 [10.6]	25600 [7.5]	10400 [3.0]	16	13	1275 [601.7]	8177934
		RCF3621MTAM	36000 [10.6]	25600 [7.5]	10400 [3.0]	15.5	13	1150 [542.7]	8177964
		RCF3621STAM	36000 [10.6]	25600 [7.5]	10400 [3.0]	15.1	12.5	1150 [542.7]	8178013
		RCF3624HTAM	36000 [10.6]	25600 [7.5]	10400 [3.0]	16	13	1275 [601.7]	8178053
		RCF3624MTAM	36000 [10.6]	25600 [7.5]	10400 [3.0]	15.5	13	1150 [542.7]	8178091
RA1636BC1	R96VA1002521MSA	RCF3621HTAM	36000 [10.6]	25600 [7.5]	10400 [3.0]	16	13	1250 [589.9]	8177935
		RCF3621MTAM	36000 [10.6]	25600 [7.5]	10400 [3.0]	15.5	13	1225 [578.1]	8177966
		RCF3621STAM	36000 [10.6]	25600 [7.5]	10400 [3.0]	15.1	12.5	1200 [566.3]	8178014
		RCF3624HTAM	36000 [10.6]	25600 [7.5]	10400 [3.0]	16	13	1250 [589.9]	8178054
		RCF3624MTAM	36000 [10.6]	25600 [7.5]	10400 [3.0]	15.5	13	1225 [578.1]	8178092
RA1636BC1	R96VA1152524MSA	RCF3624HTAM	36000 [10.6]	25600 [7.5]	10400 [3.0]	16	13	1250 [589.9]	8178055
		RCF3624MTAM	36000 [10.6]	25600 [7.5]	10400 [3.0]	16	13	1100 [519.1]	8178093
RA1636BJ1	R96VA0402317MSA	RCF3617STAM	35400 [10.4]	24500 [7.2]	10900 [3.2]	15.1	12.5	950 [448.4]	8178434
		RCF3621HTAM	36000 [10.6]	25600 [7.5]	10400 [3.0]	16	13	1125 [530.9]	8178462
		RCF3621MTAM	36000 [10.6]	24900 [7.3]	11100 [3.3]	15.5	13	1025 [483.7]	8178492
		RCF3621STAM	35800 [10.5]	25200 [7.4]	10600 [3.1]	15.1	12.5	1025 [483.7]	8178538
RA1636BJ1	R96VA0602317MSA	RCF3617STAM	35200 [10.3]	24300 [7.1]	10900 [3.2]	15	12.5	950 [448.4]	8178435
		RCF3621HTAM	36000 [10.6]	25600 [7.5]	10400 [3.0]	16	13	1050 [495.5]	8178463
		RCF3621MTAM	36000 [10.6]	25000 [7.3]	11000 [3.2]	15.1	12.5	1050 [495.5]	8178493
		RCF3621STAM	35400 [10.4]	24600 [7.2]	10800 [3.2]	15	12.5	975 [460.1]	8178539
RA1636BJ1	R96VA0702317MSA	RCF3617STAM	35400 [10.4]	24500 [7.2]	10900 [3.2]	15.1	12.5	950 [448.4]	8178436
		RCF3621HTAM	36000 [10.6]	25600 [7.5]	10400 [3.0]	16	13	1150 [542.7]	8178464
		RCF3621MTAM	35600 [10.4]	24200 [7.1]	11400 [3.3]	15.5	13	950 [448.4]	8178494
		RCF3621STAM	35400 [10.4]	24500 [7.2]	10900 [3.2]	15.1	12.5	950 [448.4]	8178540

[] Designates Metric Conversions

Performance Data @ AHRI Standard Conditions – Cooling (con't.)

R96V: 96% AFUE 2-stage Variable Speed Multipoise Gas Furnace Ratings									
Outdoor Unit	Furnace	Indoor Coil	Total Capacity BTU/H [kW]	Net Sensible BTU/H [kW]	Net Latent BTU/H [kW]	SEER	EER	Indoor CFM [L/s]	AHRI#
RA1636BJ1	R96VA0852521MSB	RCF3621HTAM	36000 [10.6]	25600 [7.5]	10400 [3.0]	16	13	1275 [601.7]	8178465
		RCF3621MTAM	36000 [10.6]	25600 [7.5]	10400 [3.0]	15.5	13	1150 [542.7]	8178495
		RCF3621STAM	36000 [10.6]	25600 [7.5]	10400 [3.0]	15.1	12.5	1150 [542.7]	8178541
		RCF3624HTAM	36000 [10.6]	25600 [7.5]	10400 [3.0]	16	13	1275 [601.7]	8178580
		RCF3624MTAM	36000 [10.6]	25600 [7.5]	10400 [3.0]	15.5	13	1150 [542.7]	8178616
RA1636BJ1	R96VA1002521MSA	RCF3621HTAM	36000 [10.6]	25600 [7.5]	10400 [3.0]	16	13	1250 [589.9]	8178466
		RCF3621MTAM	36000 [10.6]	25600 [7.5]	10400 [3.0]	15.5	13	1225 [578.1]	8178496
		RCF3621STAM	36000 [10.6]	25600 [7.5]	10400 [3.0]	15.1	12.5	1200 [566.3]	8178542
		RCF3624HTAM	36000 [10.6]	25600 [7.5]	10400 [3.0]	16	13	1250 [589.9]	8178581
		RCF3624MTAM	36000 [10.6]	25600 [7.5]	10400 [3.0]	15.5	13	1225 [578.1]	8178617
RA1636BJ1	R96VA1152524MSA	RCF3624HTAM	36000 [10.6]	25600 [7.5]	10400 [3.0]	16	13	1250 [589.9]	8178582
		RCF3624MTAM	36000 [10.6]	25600 [7.5]	10400 [3.0]	16	13	1100 [519.1]	8178618
RA1642AC1	R96VA0402317MSA	RCF4821MTAM	41000 [12.0]	27000 [7.9]	14000 [4.1]	15.5	13	1125 [530.9]	8080526
		RCF4821STAM	40000 [11.7]	27700 [8.1]	12300 [3.6]	15.5	13	1125 [530.9]	7942240
RA1642AC1	R96VA0602317MSA	RCF4821MTAM	41000 [12.0]	27000 [7.9]	14000 [4.1]	15.5	13	1125 [530.9]	8080527
		RCF4821STAM	40000 [11.7]	27700 [8.1]	12300 [3.6]	15.1	12.5	1125 [530.9]	7942241
RA1642AC1	R96VA0702317MSA	RCF4821MTAM	41000 [12.0]	27100 [7.9]	13900 [4.1]	15.5	13	1150 [542.7]	8080528
		RCF4821STAM	40000 [11.7]	27800 [8.1]	12200 [3.6]	15.5	13	1150 [542.7]	7942242
RA1642AC1	R96VA0852521MSB	RCF4821MTAM	41500 [12.2]	28300 [8.3]	13200 [3.9]	16	13	1275 [601.7]	8080529
		RCF4821STAM	41000 [12.0]	29500 [8.6]	11500 [3.4]	15.5	13	1275 [601.7]	7942243
		RCF4824HTAM	42000 [12.3]	31100 [9.1]	10900 [3.2]	16	13	1300 [613.5]	7942283
		RCF4824STAM	41000 [12.0]	29500 [8.6]	11500 [3.4]	15.5	13	1275 [601.7]	7942319
RA1642AC1	R96VA1002521MSA	RCF4821MTAM	41500 [12.2]	28200 [8.3]	13300 [3.9]	16	13	1250 [589.9]	8080530
		RCF4821STAM	41000 [12.0]	29300 [8.6]	11700 [3.4]	15.5	13	1250 [589.9]	7942244
		RCF4824HTAM	42000 [12.3]	31100 [9.1]	10900 [3.2]	16	13	1400 [660.7]	7942284
		RCF4824STAM	41000 [12.0]	29300 [8.6]	11700 [3.4]	15.5	13	1250 [589.9]	7942320
RA1642AC1	R96VA1152524MSA	RCF4824HTAM	42000 [12.3]	31100 [9.1]	10900 [3.2]	16	13	1450 [684.3]	7942285
		RCF4824STAM	41000 [12.0]	29300 [8.6]	11700 [3.4]	16	13	1250 [589.9]	7942321
RA1642AJ1	R96VA0402317MSA	RCF4821MTAM	41000 [12.0]	27000 [7.9]	14000 [4.1]	15.5	13	1125 [530.9]	8080641
		RCF4821STAM	40000 [11.7]	27700 [8.1]	12300 [3.6]	15.5	13	1125 [530.9]	7942576
RA1642AJ1	R96VA0602317MSA	RCF4821MTAM	41000 [12.0]	27000 [7.9]	14000 [4.1]	15.5	13	1125 [530.9]	8080642
		RCF4821STAM	40000 [11.7]	27700 [8.1]	12300 [3.6]	15.1	12.5	1125 [530.9]	7942577
RA1642AJ1	R96VA0702317MSA	RCF4821MTAM	41000 [12.0]	27100 [7.9]	13900 [4.1]	15.5	13	1150 [542.7]	8080643
		RCF4821STAM	40000 [11.7]	27800 [8.1]	12200 [3.6]	15.5	13	1150 [542.7]	7942578
RA1642AJ1	R96VA0852521MSB	RCF4821MTAM	41500 [12.2]	28300 [8.3]	13200 [3.9]	16	13	1275 [601.7]	8080644
		RCF4821STAM	41000 [12.0]	29500 [8.6]	11500 [3.4]	15.5	13	1275 [601.7]	7942579
		RCF4824HTAM	42000 [12.3]	31100 [9.1]	10900 [3.2]	16	13	1300 [613.5]	7942619
		RCF4824STAM	41000 [12.0]	29500 [8.6]	11500 [3.4]	15.5	13	1275 [601.7]	7942655
RA1642AJ1	R96VA1002521MSA	RCF4821MTAM	41500 [12.2]	28200 [8.3]	13300 [3.9]	16	13	1250 [589.9]	8080645
		RCF4821STAM	41000 [12.0]	29300 [8.6]	11700 [3.4]	15.5	13	1250 [589.9]	7942580
		RCF4824HTAM	42000 [12.3]	31100 [9.1]	10900 [3.2]	16	13	1400 [660.7]	7942620
		RCF4824STAM	41000 [12.0]	29300 [8.6]	11700 [3.4]	15.5	13	1250 [589.9]	7942656
RA1642AJ1	R96VA1152524MSA	RCF4824HTAM	42000 [12.3]	31100 [9.1]	10900 [3.2]	16	13	1450 [684.3]	7942621
		RCF4824STAM	41000 [12.0]	29300 [8.6]	11700 [3.4]	16	13	1250 [589.9]	7942657
RA1648AC1	R96VA0852521MSB	RCF4821MTAM	44500 [13.0]	31900 [9.3]	12600 [3.7]	16	13	1225 [578.1]	8080754
		RCF4821STAM	44000 [12.9]	30400 [8.9]	13600 [4.0]	15.5	13	1300 [613.5]	7942908
		RCF4824HTAM	45500 [13.3]	31800 [9.3]	13700 [4.0]	16	13	1350 [637.1]	7942946
		RCF4824STAM	44000 [12.9]	30400 [8.9]	13600 [4.0]	15.5	13	1300 [613.5]	7942981

[] Designates Metric Conversions

Performance Data @ AHRI Standard Conditions – Cooling (con't.)

R96V: 96% AFUE 2-stage Variable Speed Multiphase Gas Furnace Ratings									
Outdoor Unit	Furnace	Indoor Coil	Total Capacity BTU/H [kW]	Net Sensible BTU/H [kW]	Net Latent BTU/H [kW]	SEER	EER	Indoor CFM [L/s]	AHRI#
RA1648AC1	R96VA1002521MSA	RCF4821MTAM	44500 [13.0]	32100 [9.4]	12400 [3.6]	16	13	1250 [589.9]	8080755
		RCF4821STAM	44000 [12.9]	30700 [9.0]	13300 [3.9]	15.5	13	1350 [637.1]	7942909
		RCF4824HTAM	46000 [13.5]	33100 [9.7]	12900 [3.8]	16	13	1475 [696.1]	7942947
		RCF4824STAM	44000 [12.9]	30700 [9.0]	13300 [3.9]	15.5	13	1350 [637.1]	7942982
RA1648AC1	R96VA1152524MSA	RCF4824HTAM	47000 [13.8]	34700 [10.2]	12300 [3.6]	16	13	1575 [743.3]	7942948
		RCF4824STAM	44500 [13.0]	31200 [9.1]	13300 [3.9]	16	13	1350 [637.1]	7942983
RA1648AJ1	R96VA0852521MSB	RCF4821MTAM	44500 [13.0]	31900 [9.3]	12600 [3.7]	16	13	1225 [578.1]	8080861
		RCF4821STAM	44000 [12.9]	30400 [8.9]	13600 [4.0]	15.5	13	1300 [613.5]	7943234
		RCF4824HTAM	45500 [13.3]	31800 [9.3]	13700 [4.0]	16	13	1350 [637.1]	7943272
		RCF4824STAM	44000 [12.9]	30400 [8.9]	13600 [4.0]	15.5	13	1300 [613.5]	7943307
RA1648AJ1	R96VA1002521MSA	RCF4821MTAM	44500 [13.0]	32100 [9.4]	12400 [3.6]	16	13	1250 [589.9]	8080862
		RCF4821STAM	44000 [12.9]	30700 [9.0]	13300 [3.9]	15.5	13	1350 [637.1]	7943235
		RCF4824HTAM	46000 [13.5]	33100 [9.7]	12900 [3.8]	16	13	1475 [696.1]	7943273
		RCF4824STAM	44000 [12.9]	30700 [9.0]	13300 [3.9]	15.5	13	1350 [637.1]	7943308
RA1648AJ1	R96VA1152524MSA	RCF4824HTAM	47000 [13.8]	34700 [10.2]	12300 [3.6]	16	13	1575 [743.3]	7943274
		RCF4824STAM	44500 [13.0]	31200 [9.1]	13300 [3.9]	16	13	1350 [637.1]	7943309
RA1660AC1	R96VA0852521MSB	RCF6021STAM	55000 [16.1]	37000 [10.8]	18000 [5.3]	14.5	12	1575 [743.3]	8080965
		RCF6024HTAM	57000 [16.7]	40000 [11.7]	17000 [5.0]	15.1	12.5	1575 [743.3]	7943781
		RCF6024STAM	57000 [16.7]	40000 [11.7]	17000 [5.0]	15.1	12.5	1575 [743.3]	7943810
RA1660AC1	R96VA1002521MSA	RCF6021STAM	54500 [16.0]	35300 [10.3]	19200 [5.6]	15.1	12.5	1400 [660.7]	8080966
		RCF6024HTAM	57000 [16.7]	39600 [11.6]	17400 [5.1]	15.1	12.5	1550 [731.5]	7943782
		RCF6024STAM	57000 [16.7]	39600 [11.6]	17400 [5.1]	15.1	12.5	1550 [731.5]	7943811
RA1660AC1	R96VA1152524MSA	RCF6024HTAM	57500 [16.9]	40500 [11.9]	17000 [5.0]	15.5	13	1575 [743.3]	7943783
		RCF6024STAM	57500 [16.9]	40500 [11.9]	17000 [5.0]	15.5	13	1575 [743.3]	7943812
RA1660AJ1	R96VA0852521MSB	RCF6021STAM	55000 [16.1]	37000 [10.8]	18000 [5.3]	14.5	12	1575 [743.3]	8081043
		RCF6024HTAM	57000 [16.7]	40000 [11.7]	17000 [5.0]	15.1	12.5	1575 [743.3]	7943560
		RCF6024STAM	57000 [16.7]	40000 [11.7]	17000 [5.0]	15.1	12.5	1575 [743.3]	7943589
RA1660AJ1	R96VA1002521MSA	RCF6021STAM	54500 [16.0]	35300 [10.3]	19200 [5.6]	15.1	12.5	1400 [660.7]	8081044
		RCF6024HTAM	57000 [16.7]	39600 [11.6]	17400 [5.1]	15.1	12.5	1550 [731.5]	7943561
		RCF6024STAM	57000 [16.7]	39600 [11.6]	17400 [5.1]	15.1	12.5	1550 [731.5]	7943590
RA1660AJ1	R96VA1152524MSA	RCF6024HTAM	57500 [16.9]	40500 [11.9]	17000 [5.0]	15.5	13	1575 [743.3]	7943562
		RCF6024STAM	57500 [16.9]	40500 [11.9]	17000 [5.0]	15.5	13	1575 [743.3]	7943591

[] Designates Metric Conversions

Performance Data @ AHRI Standard Conditions – Cooling (con't.)

Air Handler Ratings								
Outdoor Unit	Air Handler	Total Capacity BTU/H [kW]	Net Sensible BTU/H [kW]	Net Latent BTU/H [kW]	SEER	EER	Indoor CFM [L/s]	AHRI#
RA1618AJ1	RF1P1821SPAN	18000 [5.3]	12600 [3.7]	5400 [1.6]	14.5	12.2	550 [259.6]	7940562
	RF1T2421MTAN	18000 [5.3]	13500 [4.0]	4500 [1.3]	16	13	625 [295.0]	7940563
	RBHP-17	18000 [5.3]	13500 [4.0]	4500 [1.3]	16	13	600 [283.2]	7940293
	RH1P1817STAN	18000 [5.3]	13500 [4.0]	4500 [1.3]	15	12.5	600 [283.2]	7940564
	RH1T2417STAN	18000 [5.3]	13500 [4.0]	4500 [1.3]	16	13	600 [283.2]	7940565
	RH1V2417STAN	18000 [5.3]	13500 [4.0]	4500 [1.3]	16	13	650 [306.8]	7940566
RA1624AJ1	RF1P2421SPAN	24000 [7.0]	17500 [5.1]	6500 [1.9]	14	12.2	800 [377.6]	8079998
	RF1T2421MTAN	24000 [7.0]	17500 [5.1]	6500 [1.9]	15.5	13	800 [377.6]	7940889
	RBHP-17	24000 [7.0]	17500 [5.1]	6500 [1.9]	15	12.5	800 [377.6]	7940572
	RH1P2417STAN	24000 [7.0]	17500 [5.1]	6500 [1.9]	14.5	12.2	800 [377.6]	7940890
	RH1T2417STAN	24000 [7.0]	17500 [5.1]	6500 [1.9]	16	13	800 [377.6]	7940891
	RH2T2421MTAN	24000 [7.0]	17500 [5.1]	6500 [1.9]	16	13	700 [330.4]	7940893
	RH1V2417STAN	24000 [7.0]	17500 [5.1]	6500 [1.9]	16	13	850 [401.2]	7940892
	RH2V2421HTAC	24000 [7.0]	17500 [5.1]	6500 [1.9]	16	13	800 [377.6]	7940894
RA1630AJ1	RF1P3024SPAN	28600 [8.4]	20000 [5.9]	8600 [2.5]	14	12.2	900 [424.8]	8080142
	RF1T3624MTAN	29800 [8.7]	21700 [6.4]	8100 [2.4]	16	13	1025 [483.7]	7941341
	RBHP-21	28800 [8.4]	19700 [5.8]	9100 [2.7]	16	13	1000 [471.9]	7940903
	RH1P3017STAN	28400 [8.3]	21400 [6.3]	7000 [2.1]	15	12.5	975 [460.1]	7941342
	RH1T3617STAN	29000 [8.5]	22100 [6.5]	6900 [2.0]	16	13	1000 [471.9]	7941343
	RH1T3621HTAN	30000 [8.8]	22800 [6.7]	7200 [2.1]	16	13	1000 [471.9]	8080143
	RH1T3621MTAN	30000 [8.8]	21100 [6.2]	8900 [2.6]	16	13	975 [460.1]	7941344
	RH1V3617STAN	29000 [8.5]	22200 [6.5]	6800 [2.0]	16	13	1025 [483.7]	7941345
	RH1V3621HTAN	30000 [8.8]	22800 [6.7]	7200 [2.1]	16	13	1000 [471.9]	8080144
	RH1V3621MTAN	30000 [8.8]	22800 [6.7]	7200 [2.1]	16	13	1000 [471.9]	7941346
RA1636BC1	RF1P3624SPAN	36000 [10.6]	25600 [7.5]	10400 [3.0]	14.5	12.2	1100 [519.1]	8178398
	RF1P3624STAN		25600 [7.5]	10400 [3.0]				0
	RF1T3624MTAN	36000 [10.6]	25600 [7.5]	10400 [3.0]	16	13	1025 [483.7]	8178399
	RBHP-21	36000 [10.6]	25600 [7.5]	10400 [3.0]	16	13	1000 [471.9]	8177893
	RH1P3017STAN	35000 [10.3]	24100 [7.1]	10900 [3.2]	14.5	12.2	950 [448.4]	8178400
	RH1P3617STAN	35600 [10.4]	25300 [7.4]	10300 [3.0]	14	12.2	1100 [519.1]	8178401
	RH1P3621STAN	35600 [10.4]	25300 [7.4]	10300 [3.0]	14	12.2	1100 [519.1]	8178402
	RH1T3617STAN	36000 [10.6]	25600 [7.5]	10400 [3.0]	15.5	13	1200 [566.3]	8178403
	RH1T3621HTAN	36000 [10.6]	25600 [7.5]	10400 [3.0]	16	13	1200 [566.3]	8178404
	RH1T3621MTAN	36000 [10.6]	25600 [7.5]	10400 [3.0]	15.5	13	1150 [542.7]	8178405
	RH1V3617STAN	36000 [10.6]	25400 [7.4]	10600 [3.1]	15.5	13	1025 [483.7]	8178406
	RH1V3621HTAN	36000 [10.6]	25600 [7.5]	10400 [3.0]	16	13	1200 [566.3]	8178407
	RH1V3621MTAN	36000 [10.6]	25600 [7.5]	10400 [3.0]	16	13	1200 [566.3]	8178408
	RH2V3624HTAC	36000 [10.6]	25600 [7.5]	10400 [3.0]	16	13	1200 [566.3]	8178409

[] Designates Metric Conversions

Performance Data @ AHRI Standard Conditions – Cooling (con't.)

Air Handler Ratings								
Outdoor Unit	Air Handler	Total Capacity BTU/H [kW]	Net Sensible BTU/H [kW]	Net Latent BTU/H [kW]	SEER	EER	Indoor CFM [L/s]	AHRI#
RA1636BJ1	RF1P3624SPAN	36000 [10.6]	25600 [7.5]	10400 [3.0]	14.5	12.2	1100 [519.1]	8178921
	RF1T3624MTAN	36000 [10.6]	25600 [7.5]	10400 [3.0]	16	13	1025 [483.7]	8178922
	RBHP-21	36000 [10.6]	25600 [7.5]	10400 [3.0]	16	13	1000 [471.9]	8178424
	RH1P3017STAN	35000 [10.3]	24100 [7.1]	10900 [3.2]	14.5	12.2	950 [448.4]	8178923
	RH1P3617STAN	35600 [10.4]	25300 [7.4]	10300 [3.0]	14	12.2	1100 [519.1]	8178924
	RH1P3621STAN	35600 [10.4]	25300 [7.4]	10300 [3.0]	14	12.2	1100 [519.1]	8178925
	RH1T3617STAN	36000 [10.6]	25600 [7.5]	10400 [3.0]	15.5	13	1200 [566.3]	8178926
	RH1T3621HTAN	36000 [10.6]	25600 [7.5]	10400 [3.0]	16	13	1200 [566.3]	8178927
	RH1T3621MTAN	36000 [10.6]	25600 [7.5]	10400 [3.0]	15.5	13	1150 [542.7]	8178928
	RH1V3617STAN	36000 [10.6]	25400 [7.4]	10600 [3.1]	15.5	13	1025 [483.7]	8178929
	RH1V3621HTAN	36000 [10.6]	25600 [7.5]	10400 [3.0]	16	13	1200 [566.3]	8178930
	RH1V3621MTAN	36000 [10.6]	25600 [7.5]	10400 [3.0]	16	13	1200 [566.3]	8178931
RH2V3624HTAC	36000 [10.6]	25600 [7.5]	10400 [3.0]	16	13	1200 [566.3]	8178932	
RA1642AC1	RBHP-24	41000 [12.0]	26900 [7.9]	14100 [4.1]	16	13	1400 [660.7]	7942223
	RH1P4221STAN	40500 [11.9]	29300 [8.6]	11200 [3.3]	14.5	12.2	1325 [625.3]	7942552
	RH1T4821MTAN	42000 [12.3]	31100 [9.1]	10900 [3.2]	16	13	1400 [660.7]	8080627
	RH1T4821STAN	41500 [12.2]	30700 [9.0]	10800 [3.2]	16	13	1400 [660.7]	7942553
	RH1V4821MTAN	42000 [12.3]	31100 [9.1]	10900 [3.2]	16	13	1425 [672.5]	8080628
	RH1V4821STAN	41500 [12.2]	30700 [9.0]	10800 [3.2]	15.5	13	1400 [660.7]	7942554
RA1642AJ1	RBHP-24	41000 [12.0]	26900 [7.9]	14100 [4.1]	16	13	1400 [660.7]	7942559
	RH1P4221STAN	40500 [11.9]	29300 [8.6]	11200 [3.3]	14.5	12.2	1325 [625.3]	7942887
	RH1T4821MTAN	42000 [12.3]	31100 [9.1]	10900 [3.2]	16	13	1400 [660.7]	8080742
	RH1T4821STAN	41500 [12.2]	30700 [9.0]	10800 [3.2]	16	13	1400 [660.7]	7942888
	RH1V4821MTAN	42000 [12.3]	31100 [9.1]	10900 [3.2]	16	13	1425 [672.5]	8080743
	RH1V4821STAN	41500 [12.2]	30700 [9.0]	10800 [3.2]	15.5	13	1400 [660.7]	7942889
RA1648AC1	RBHP-24	44000 [12.9]	28900 [8.5]	15100 [4.4]	16	13	1400 [660.7]	7942894
	RH1P4821STAN	44500 [13.0]	32100 [9.4]	12400 [3.6]	14.5	12	1500 [707.9]	7943208
	RH1T4821MTAN	46500 [13.6]	36200 [10.6]	10300 [3.0]	16	13	1600 [755.1]	8080849
	RH1T4821STAN	45000 [13.2]	32000 [9.4]	13000 [3.8]	16	13	1400 [660.7]	7943209
	RH1T4824STAN	45500 [13.3]	33500 [9.8]	12000 [3.5]	16	13	1550 [731.5]	7943210
	RH2T4824MTAN	46500 [13.6]	33100 [9.7]	13400 [3.9]	16	13	1400 [660.7]	7943212
	RH1V4821MTAN	45500 [13.3]	34200 [10.0]	11300 [3.3]	16	13	1425 [672.5]	8080850
	RH1V4821STAN	44500 [13.0]	31500 [9.2]	13000 [3.8]	16	13	1400 [660.7]	7943211
	RH2V4824HTAC	47000 [13.8]	34900 [10.2]	12100 [3.5]	16	13	1600 [755.1]	7943213
RA1648AJ1	RBHP-24	44000 [12.9]	28900 [8.5]	15100 [4.4]	16	13	1400 [660.7]	7943220
	RH1P4821STAN	44500 [13.0]	32100 [9.4]	12400 [3.6]	14.5	12	1500 [707.9]	7943534
	RH1T4821MTAN	46500 [13.6]	36200 [10.6]	10300 [3.0]	16	13	1600 [755.1]	8080956
	RH1T4821STAN	45000 [13.2]	32000 [9.4]	13000 [3.8]	16	13	1400 [660.7]	7943535
	RH1T4824STAN	45500 [13.3]	33500 [9.8]	12000 [3.5]	16	13	1550 [731.5]	7943536
	RH2T4824MTAN	46500 [13.6]	33100 [9.7]	13400 [3.9]	16	13	1400 [660.7]	7943538
	RH1V4821MTAN	45500 [13.3]	34200 [10.0]	11300 [3.3]	16	13	1425 [672.5]	8080957
	RH1V4821STAN	44500 [13.0]	31500 [9.2]	13000 [3.8]	16	13	1400 [660.7]	7943537
RH2V4824HTAC	47000 [13.8]	34900 [10.2]	12100 [3.5]	16	13	1600 [755.1]	7943539	

[] Designates Metric Conversions

Performance Data @ AHRI Standard Conditions – Cooling (con't.)

Air Handler Ratings								
Outdoor Unit	Air Handler	Total Capacity BTU/H [kW]	Net Sensible BTU/H [kW]	Net Latent BTU/H [kW]	SEER	EER	Indoor CFM [L/s]	AHRI#
RA1660AC1	RBHP-25	56000 [16.4]	39100 [11.5]	16900 [5.0]	15	12.5	1800 [849.5]	7943767
	RH1P6024STAN	57500 [16.9]	41900 [12.3]	15600 [4.6]	14	11.7	1750 [825.9]	7943934
	RH1T6021STAN	56000 [16.4]	37900 [11.1]	18100 [5.3]	15	12.5	1575 [743.3]	8081034
	RH1T6024STAN	58000 [17.0]	41200 [12.1]	16800 [4.9]	16	13	1600 [755.1]	7943935
	RH2T6024STAN	57500 [16.9]	40700 [11.9]	16800 [4.9]	15.5	13	1600 [755.1]	7943937
	RH1V6021STAN	56000 [16.4]	38000 [11.1]	18000 [5.3]	15	12.5	1600 [755.1]	8081035
	RH1V6024STAN	58000 [17.0]	41200 [12.1]	16800 [4.9]	16	13	1600 [755.1]	7943936
	RH2V6024HTAC	58500 [17.1]	42700 [12.5]	15800 [4.6]	15.5	13	1725 [814.1]	7943938
RA1660AJ1	RBHP-25	56000 [16.4]	39100 [11.5]	16900 [5.0]	15	12.5	1800 [849.5]	7943546
	RH1P6024STAN	57500 [16.9]	41900 [12.3]	15600 [4.6]	14	11.7	1750 [825.9]	7943713
	RH1T6021STAN	56000 [16.4]	37900 [11.1]	18100 [5.3]	15	12.5	1575 [743.3]	8081112
	RH1T6024STAN	58000 [17.0]	41200 [12.1]	16800 [4.9]	16	13	1600 [755.1]	7943714
	RH2T6024STAN	57500 [16.9]	40700 [11.9]	16800 [4.9]	15.5	13	1600 [755.1]	7943716
	RH1V6021STAN	56000 [16.4]	38000 [11.1]	18000 [5.3]	15	12.5	1600 [755.1]	8081113
	RH1V6024STAN	58000 [17.0]	41200 [12.1]	16800 [4.9]	16	13	1600 [755.1]	7943715
	RH2V6024HTAC	58500 [17.1]	42700 [12.5]	15800 [4.6]	15.5	13	1725 [814.1]	7943717

[] Designates Metric Conversions

Performance Data @ AHRI Standard Conditions – Cooling (con't.)

RHWB Hydronic Air Handler Ratings									
Outdoor Unit	Hydronic Air Handler	Indoor Coil	Total Capacity BTU/H [kW]	Net Sensible BTU/H [kW]	Net Latent BTU/H [kW]	SEER	EER	Indoor CFM [L/s]	AHRI#
RA1624AJ1	RHWB-04WMX36B	RCF2417HTAM	24000 [7.0]	17500 [5.1]	6500 [1.9]	16	13	875 [413.0]	7940593
		RCF2417MTAM	24000 [7.0]	17500 [5.1]	6500 [1.9]	16	13	875 [413.0]	7940617
		RCF2417STAM	24000 [7.0]	17500 [5.1]	6500 [1.9]	16	13	875 [413.0]	7940642
		RCF2421MTAM	24000 [7.0]	17500 [5.1]	6500 [1.9]	16	13	875 [413.0]	7940707
		RCF2421HTAM	24000 [7.0]	17500 [5.1]	6500 [1.9]	16	13	875 [413.0]	7940674
RA1630AJ1	RHWB-04WMX36B	RCF3617STAM	28400 [8.3]	21100 [6.2]	7300 [2.1]	16	13	875 [413.0]	7940924
		RCF3621MTAM	30000 [8.8]	22800 [6.7]	7200 [2.1]	16	13	1075 [507.3]	7940966
		RCF3621STAM	28600 [8.4]	21400 [6.3]	7200 [2.1]	16	13	900 [424.8]	7941010
RA1630AJ1	RHWB-06WMX48B	RCF3617STAM	28800 [8.4]	21800 [6.4]	7000 [2.1]	16	13	975 [460.1]	7940925
		RCF3621MTAM	30000 [8.8]	22800 [6.7]	7200 [2.1]	16	13	1000 [471.9]	7940967
		RCF3621STAM	29000 [8.5]	22100 [6.5]	6900 [2.0]	16	13	1000 [471.9]	7941011
RA1636BC1	RHWB-04WMX36B	RCF3617STAM	35800 [10.5]	25200 [7.4]	10600 [3.1]	15.1	12.5	1025 [483.7]	8177914
		RCF3621MTAM	36000 [10.6]	25600 [7.5]	10400 [3.0]	15.5	13	1075 [507.3]	8177984
		RCF3621STAM	36000 [10.6]	25500 [7.5]	10500 [3.1]	15.1	12.5	1050 [495.5]	8178031
RA1636BC1	RHWB-06WMX48B	RCF3617STAM	35600 [10.4]	24800 [7.3]	10800 [3.2]	15.1	12.5	975 [460.1]	8177915
		RCF3621MTAM	36000 [10.6]	24800 [7.3]	11200 [3.3]	15.5	13	1000 [471.9]	8177985
		RCF3621STAM	35600 [10.4]	24800 [7.3]	10800 [3.2]	15.1	12.5	975 [460.1]	8178032
RA1636BJ1	RHWB-04WMX36B	RCF3617STAM	35800 [10.5]	25200 [7.4]	10600 [3.1]	15.1	12.5	1025 [483.7]	8178445
		RCF3621MTAM	36000 [10.6]	25600 [7.5]	10400 [3.0]	15.5	13	1075 [507.3]	8178513
		RCF3621STAM	36000 [10.6]	25500 [7.5]	10500 [3.1]	15.1	12.5	1050 [495.5]	8178559
RA1636BJ1	RHWB-06WMX48B	RCF3617STAM	35600 [10.4]	24800 [7.3]	10800 [3.2]	15.1	12.5	975 [460.1]	8178446
		RCF3621MTAM	36000 [10.6]	24800 [7.3]	11200 [3.3]	15.5	13	1000 [471.9]	8178514
		RCF3621STAM	35600 [10.4]	24800 [7.3]	10800 [3.2]	15.1	12.5	975 [460.1]	8178560
RA1642AC1	RHWB-04WMX36B	RCF4821STAM	40500 [11.9]	28600 [8.4]	11900 [3.5]	15.5	13	1200 [566.3]	7942261
RA1642AC1	RHWB-06WMX48B	RCF4821STAM	40500 [11.9]	28800 [8.4]	11700 [3.4]	15.1	12.5	1250 [589.9]	7942262
RA1642AC1	RHWB-08WRX60B	RCF4824STAM	41500 [12.2]	30400 [8.9]	11100 [3.3]	16	13	1350 [637.1]	7942334
RA1642AC1	RHWB-10WRX60B	RCF4824STAM	41500 [12.2]	30700 [9.0]	10800 [3.2]	16	13	1400 [660.7]	7942335
RA1642AJ1	RHWB-04WMX36B	RCF4821STAM	40500 [11.9]	28600 [8.4]	11900 [3.5]	15.5	13	1200 [566.3]	7942597
RA1642AJ1	RHWB-06WMX48B	RCF4821STAM	40500 [11.9]	28800 [8.4]	11700 [3.4]	15.1	12.5	1250 [589.9]	7942598
RA1642AJ1	RHWB-08WRX60B	RCF4824STAM	41500 [12.2]	30400 [8.9]	11100 [3.3]	16	13	1350 [637.1]	7942670
RA1642AJ1	RHWB-10WRX60B	RCF4824STAM	41500 [12.2]	30700 [9.0]	10800 [3.2]	16	13	1400 [660.7]	7942671
RA1648AC1	RHWB-04WMX36B	RCF4821STAM	43500 [12.7]	29300 [8.6]	14200 [4.2]	15.5	13	1200 [566.3]	7942924
RA1648AC1	RHWB-06WMX48B	RCF4821STAM	43500 [12.7]	29300 [8.6]	14200 [4.2]	15.5	13	1200 [566.3]	7942925
RA1648AC1	RHWB-08WRX60B	RCF4824STAM	44500 [13.0]	31100 [9.1]	13400 [3.9]	16	13	1325 [625.3]	7942996
RA1648AC1	RHWB-10WRX60B	RCF4824STAM	45000 [13.2]	32600 [9.6]	12400 [3.6]	16	13	1500 [707.9]	7942997
RA1648AJ1	RHWB-04WMX36B	RCF4821STAM	43500 [12.7]	29300 [8.6]	14200 [4.2]	15.5	13	1200 [566.3]	7943250
RA1648AJ1	RHWB-06WMX48B	RCF4821STAM	43500 [12.7]	29300 [8.6]	14200 [4.2]	15.5	13	1200 [566.3]	7943251
RA1648AJ1	RHWB-08WRX60B	RCF4824STAM	44500 [13.0]	31100 [9.1]	13400 [3.9]	16	13	1325 [625.3]	7943322
RA1648AJ1	RHWB-10WRX60B	RCF4824STAM	45000 [13.2]	32600 [9.6]	12400 [3.6]	16	13	1500 [707.9]	7943323
RA1660AC1	RHWB-08WRX60B	RCF6024STAM	57000 [16.7]	39400 [11.5]	17600 [5.2]	15.5	13	1500 [707.9]	7943822
RA1660AC1	RHWB-10WRX60B	RCF6024STAM	58000 [17.0]	42200 [12.4]	15800 [4.6]	15.5	13	1725 [814.1]	7943823
RA1660AJ1	RHWB-08WRX60B	RCF6024STAM	57000 [16.7]	39400 [11.5]	17600 [5.2]	15.5	13	1500 [707.9]	7943601
RA1660AJ1	RHWB-10WRX60B	RCF6024STAM	58000 [17.0]	42200 [12.4]	15800 [4.6]	15.5	13	1725 [814.1]	7943602

[] Designates Metric Conversions

GUIDE SPECIFICATIONS

General

System Description

Outdoor-mounted, air-cooled, split-system air conditioner composite base pan unit suitable for ground or rooftop installation. Unit consists of a hermetic compressor, an air-cooled coil, propeller-type condenser fan, suction and legend line service valve, and a control box. Unit will discharge supply air upward as shown on contract drawings. Unit will be used in a refrigeration circuit to match up to a coil unit.

Quality Assurance

- Unit will be rated in accordance with the latest edition of AHRI Standard 210.
- Unit will be certified for capacity and efficiency, and listed in the latest AHRI directory.
- Unit construction will comply with latest edition of ANSI/ASHRAE and with NEC.
- Unit will be constructed in accordance with UL standards and will carry the UL label of approval. Unit will have c-UL-us approval.
- Unit cabinet will be capable of withstanding ASTM B117 1000-hr salt spray test.
- Air-cooled condenser coils will be leak tested at 150 psig and pressure tested at 550 psig.
- Unit constructed in ISO9001 approved facility.

Delivery, Storage, and Handling

- Unit will be shipped as single package only and is stored and handled per unit manufacturer's recommendations.

Warranty (for inclusion by specifying engineer) – U.S. and Canada only.

Products

Equipment

Factory assembled, single piece, air-cooled air conditioner unit. Contained within the unit enclosure is all factory wiring, piping, controls, compressor, refrigerant charge R-410A, and special features required prior to field start-up.

Unit Cabinet

- Unit cabinet will be constructed of galvanized steel, bonderized, and coated with a powder coat paint.
- All units constructed with louver coil protection and corner post. Louver can be removed by removing one fastener per louver panel.

AIR-COOLED, SPLIT-SYSTEM AIR CONDITIONER RA16

1-1/2 TO 5 NOMINAL TONS

Fans

- Condenser fan will be direct-drive propeller type, discharging air upward.
- Condenser fan motors will be totally enclosed, 1-phase type with class B insulation and permanently lubricated bearings. Shafts will be corrosion resistant.
- Fan blades will be statically and dynamically balanced.
- Condenser fan openings will be equipped with coated steel wire safety guards.

Compressor

- Compressor will be hermetically sealed.
- Compressor will be mounted on rubber vibration isolators.

Condenser Coil

- Condenser coil will be air cooled.
- Coil will be constructed of aluminum fins mechanically bonded to copper tubes.

Refrigeration Components

- Refrigeration circuit components will include liquid-line shutoff valve with sweat connections, vapor-line shutoff valve with sweat connections, system charge of R-410A refrigerant, and compressor oil.
- Unit will be equipped with filter drier for R-410A refrigerant for field installation.

Operating Characteristics

- The capacity of the unit will meet or exceed _____ Btuh at a suction temperature of _____ °F/°C. The power consumption at full load will not exceed _____ kW.
- Combination of the unit and the evaporator or fan coil unit will have a total net cooling capacity of _____ Btuh or greater at conditions of _____ CFM entering air temperature at the evaporator at _____ °F/°C wet bulb and _____ °F/°C dry bulb, and air entering the unit at _____ °F/°C.
- The system will have a SEER of _____ Btuh/watt or greater at DOE conditions.

Electrical Requirements

- Nominal unit electrical characteristics will be _____ v, single phase, 60 hz. The unit will be capable of satisfactory operation within voltage limits of _____ v to _____ v.
- Nominal unit electrical characteristics will be _____ v, three phase, 60 hz. The unit will be capable of satisfactory operation within voltage limits of _____ v to _____ v.
- Unit electrical power will be single point connection.
- Control circuit will be 24v.

Special Features

- Refer to section of this literature identifying accessories and descriptions for specific features and available enhancements.

GENERAL TERMS OF LIMITED WARRANTY*

Rheem will furnish a replacement for any part of this product which fails in normal use and service within the applicable period stated, in accordance with the terms of the limited warranty.

***For complete details of the Limited and Conditional Warranties, including applicable terms and conditions, contact your local contractor or the Manufacturer for a copy of the product warranty certificate.**

Conditional Parts
(Registration Required)Ten (10) Years



The new degree of comfort.™

In keeping with its policy of continuous progress and product improvement, Rheem reserves the right to make changes without notice.

Rheem Heating, Cooling & Water Heating • P.O. Box 17010
Fort Smith, Arkansas 72917 • www.rheem.com

Rheem Canada Ltd./Ltée • 125 Edgeware Road, Unit 1
Brampton, Ontario • L6Y 0P5



INTEGRATED HOME COMFORT

PRINTED IN U.S.A. 11/15 QG FORM NO. A11-222 REV. 5